

2018

CHAIR & CHAIR COMPONENTS

CHAIR CHAIR COMPONENTS

2018 COLLECTION
SINCE 1995

HOME & OFFICE CHAIR
CONFERENCE CHAIR
MULTI-PURPOSE CHAIR
K I D S C H A I R
CHAIR COMPONENTS

HEAD OFFICE

CHEONGDO FACTORY / MECHANISM & CHAIR COMPONENTS

29-6, Wolgok2-gil, Cheongdo-eup, Cheongdo-gun, Gyeongsangbuk-do, 38347, Korea

TEL : (+82)54-373-8561~2

FAX : (+82)54-373-8564

PLANT

NAMYANGJU FACTORY / ASSEMBLY PLANT & INJECTION PLANT

471, Soraebi-ro, Sudong-myeon, Namyangju-si, Gyeonggi-do, 12034, Korea

TEL : (+82)31-592-7916~7

FAX : (+82)31-592-7913

E-MAIL : daehachair@naver.com

www.daeha-chair.co.kr

DAEHA

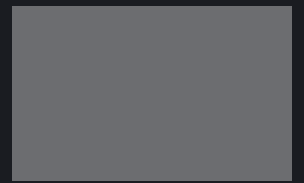
DAEHA

ver. 2018.01

SINCE . 1995

**DAEHA PROVIDES
A BETTER LIFE
FOR YOU**

DAEHA



**Idea
Health
Comfortable
Usability
Posture Correction**

CONTENTS

INFORMATION	03~09
OFFICE CHAIR	10~49
CONFERENCE CHAIR	50~89
CHAIR COMPONENTS (Mechanism / Armrest / Base / Frame)	90~118

CEO Message

‘최고여야지만 경쟁에서 승리를 할 수 있다.’ 라는 신념하에 세계적으로 인정받는 제품만을 개발해내고 있습니다. 이런 노력의 결과로 유럽, 호주 등으로부터 인정을 받아서 꾸준한 수출을 하고 있으며, 국내에서도 최고의 품질로 인정받고 있습니다. 이와 더불어 단가 인하, 납기 기한 단축 등 고객의 욕구를 만족시키기 위한 혁신적인 노력을 통해 고객에게 다가가는 **DAEHA**가 될 것을 약속 드립니다.

We believe that ‘Only the best can be survived’ For this reason, we are developing and supplying the products which have the best quality in the market. In the result of this, our goods have been able to get the credit from several companies in U.S.A, Europe, Australia, Indonesia and so on. We are sure all of the customers supplied by us consider our products as the best ones in the market. To satisfy more customers, we will do our best to pursue innovation.





DAEHA promises to take a more proactive approach when it comes to satisfying our customers.

To maintain the best possible quality for our products, we are active in R&D and quality test according to the BIFMA certification standard.



We manufacture injection parts locally in Namyangju factory, which vouches for its excellent quality.



From Mechanisms to chairs





Technology management

Since 1995, **DAEHA** has manufactured chair parts and has achieved the status as the best chair part company in Korea. Also, we are committed to R&D to ensure.



Design management

Beyond the basic meaning of furniture, we create value in space. We founded a R&D Institute to achieve several certifications, and have gained the recognition of design.



Quality management

We manufacture the best quality products based on foreign mechanism technology. We also keep our own technology, and it brings us satisfaction reliably. We are also still trying to develop the product in accordance with the BIFMA certification standard.

D5-100

SERIES

The D5-100 series with a flexible design.
Various functions and a mesh backrest gives users a comfortable
experience, regardless of body type and posture.





1 ADJUSTABLE HEADREST

According to the user's body type and posture, it is possible to adjust headrest height.



2 ADJUSTABLE LUMBAR SUPPORT

According to the user's body type and posture, it is possible to adjust the lumbar support up and down.



3 ADJUSTABLE ARMREST

It is possible to adjust the armrest's height, move it forward or backward, and rotate its angle.
*It is possible to choose a fixed armrest.



4 SYNCHRONIZED TILTING FUNCTION

The backrest and seat can be tilted to different angles to allow for the most possible comfort.



5 ADJUSTABLE HEIGHT

The height of the chair can be adjusted by turning the lever on the right side of the bottom of the chair.



6 4 DIFFERENT LIMIT POSITIONS

According to the user's weight or posture, it is possible to choose the range of the tilting angle.

ITEM LIST



D5-100

W660 x D585 x H970~1060



D5-100L

W660 x D585 x H970~1060



D5-100H

W660 x D595 x H1165~1255



D5-100HL

W660 x D595 x H1165~1255



D5-101

W700 x D585 x H970~1060



D5-101L

W700 x D585 x H970~1060



D5-101H

W700 x D595 x H1165~1255



D5-101HL

W700 x D595 x H1165~1255



D5-111HL

W700 x D600 x H1190~1280



D5-121HL

W700 x D595 x H1205~1295



D5-130

W564 x D600 x H1030
(Fixed Glide is available)

1. Adjustable headrest
2. Adjustable lumbar support
3. Adjustable armrest
4. Adjustable seat depth
5. 4 different tilting positions / 3 different limit positions
6. Adjustable height
7. Synchronized tilting function
8. Tilting tension adjustment
9. Seat slide function while tilting



Adjustable seat depth
It is possible to adjust the seat depth by pulling the lever located on the right side of the bottom of the chair.



Adjustable lumbar support
According to the user's body type and posture, it is possible to adjust the lumbar support up and down.

1. Adjustable headrest
2. Adjustable lumbar support
3. Adjustable armrest
4. Adjustable seat depth
5. 4 different tilting positions / 3 different limit positions
6. Adjustable height
7. Synchronized tilting function
8. Tilting tension adjustment



Adjustable seat depth
It is possible to adjust the seat depth by pulling the lever located on the right side of the bottom of the chair.



Adjustable lumbar support
According to the user's body type and posture, it is possible to adjust the lumbar support up and down.

User can choose various mechanisms according to its function.

Standard Features / EASY - II (MECHANISM) - 4 different limit positions (Model - 100 series)
Advanced Features / SYNCHRON - II (MECHANISM) - 4 different tilting positions / 3 different limit positions (Model - 120 series)
The Highest Features / REX - II (MECHANISM) - 4 different tilting positions / 3 different limit positions / Seat sliding function (Model - 110 series)





DETAILED PARTS

COLOR VARIATION



BK

OPTION-MECHANISM



DHM-1310



DHM-1320



DHM-1200



DHM-210



DHM-230

OPTION-ARMREST



DHA-240



D5-111HL COMPONENT LIST

CATEGORY	NO.	CODE NO.	DESCRIPTION	Q'TY	Carton Size WxDxH	G.W/Kg	Q'TY/CTN
BACK	1	DHC051-1001	Back frame	1	740 x 400 x 495	11.9	5
	2	DHC051-1002	Logo	1	250 x 210 x 45	0.5	200
SEAT	3	DHC051-2000	Seat sponge	1	520 x 510 x 900	9.4	15
	4	DHC051-2001	Seat	1	500 x 430 x 470	22.7	10
	5	DHC051-2003	Seat lever	1	610 x 510 x 280	18.5	400
	-	DHC051-2004	Seat lever spring	1	270 x 250 x 130	2.6	2000
HEAD	6	DHC051-3000	Neck sponge	1	515 x 335 x 595	5.2	50
	7	DHC051-3001	Neck core	1	595 x 495 x 185	12.9	100
	8	DHC051-3002	Neck cover	1	570 x 470 x 235	16.5	120
	9	DHC051-3003	Neck post (Long)	1	345 x 325 x 255	12.7	50
LUMBAR	10	DHC051-3005	Neck post guide plate	1	-	2	50
	11	DHC051-4011	Lumbar post	1	610 x 495 x 225	13.6	130
	12	DHC051-4012	Lumbar guide	1	590 x 480 x 195	17.1	66
	13	DHC051-4014	Lumbar shell (Urethane)	1	610 x 450 x 360	14.7	40
FRAME	-	DHC051-4015	Lumbar spring	1	440 x 340 x 200	17.5	1500
	14	DHC051-5020	D5-111 frame	1	330 x 330 x 110	35.1	40
ARM	15	DHA-940L	Dynamic - II L	1	460 x 450 x 300	10	5
	16	DHA-940R	Dynamic - II R	1	-	-	5
MECHANISM	17	DHM-1210	REX- II (SLIDE)	1	605 x 510 x 285	17.2	4
BASE	18	KGL1100-5035AD	Gas lift	1	300 x 253 x 105	9.8	10
	19	DHB-200	Injection base	1	660 x 560 x 435	14.8	6
	20	C-50B	φ50 Castor(Black)	5	460 x 290 x 440	28.5	250

D5-200

SERIES

The D5-200 series has various functions and a careful design. It provides a lumbar lordotic curve adjustment function and breaks the suspension of the lumbus with a high quality mesh.





1 **ADJUSTABLE HEADREST**

According to the user's body type and posture, it is possible to adjust headrest height.



2 **ADJUSTABLE LUMBAR SUPPORT**

According to the user's body type and posture, it is possible to adjust the lumbar support up and down.



3 **ADJUSTABLE ARMREST**

It is possible to adjust the armrest's height, move it forward or backward, and rotate its angle.
*It is possible to choose a fixed armrest.



4 **5 DIFFERENT TILTING POSITIONS**

It is possible to adjust the tilting lock position by turning the lever on the left side of the bottom of the chair. There is also a function to pull it to unlock tilting.



5 **ADJUSTABLE HEIGHT**

The height of the chair can be adjusted by turning the lever on the right side of the bottom of the chair.



6 **SYNCHRONIZED TILTING FUNCTION**

The backrest and seat can be tilted to different angles to allow for the most possible comfort.



7 **TILTING TENSION ADJUSTMENT**

According to the user's weight or posture, it is possible to adjust the tilting angle of the backrest.

ITEM LIST



D5-200

W615 x D575 x H970~1060



D5-200L

W615 x D575 x H970~1060



D5-200H

W615 x D575 x H1095~1185



D5-200HL

W615 x D575 x H1095~1185



D5-201

W630 x D575 x H970~1060



D5-201L

W630 x D575 x H970~1060



D5-201H

W630 x D575 x H1095~1185



D5-201HL

W630 x D575 x H1095~1185



D5-210

W620 x D630 x H930~1020



D5-210HL

W620 x D630 x H1055~1145



D5-220

W564 x D655 x H1010
(Fixed Glide is available)





DETAILED PARTS

COLOR VARIATION



BK

OPTION-MECHANISM



DHM-1400

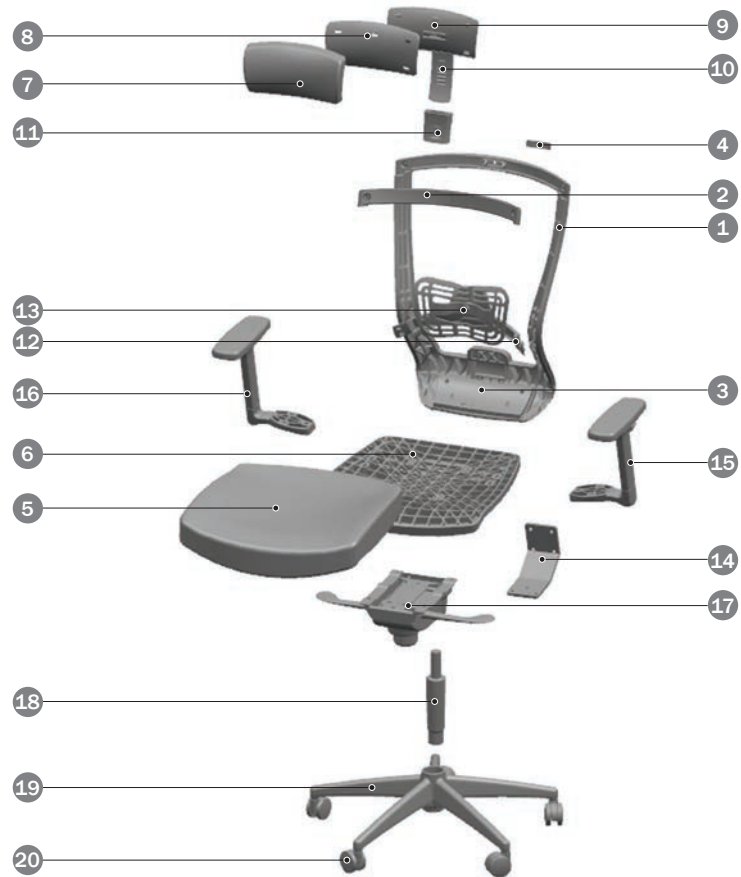


DHM-700

OPTION-ARMREST



DHA-230



D5-201HL COMPONENT LIST

CATEGORY	NO.	CODE NO.	DESCRIPTION	Q'TY	Carton Size W×D×H	G.W/Kg	Q'TY/CTN
BACK	1	DHC052-1001	Back frame	1	700 x 535 x 540	21	10
	2	DHC052-1002	Back frame upper	1	520 x 430 x 200	16.7	100
	3	DHC052-1003	Back frame lower	1	520 x 435 x 300	10.6	50
	4	DHC052-1004	Logo	1	420 x 280 x 300	6.2	2400
SEAT	5	DHC052-2000	Seat sponge	1	520 x 510 x 900	9	15
	6	DHC052-2001	Seat	1	510 x 435 x 505	25.1	10
HEAD	7	DHC052-3000	Neck sponge	1	515 x 335 x 595	5	60
	8	DHC052-3001	Neck core	1	540 x 530 x 145	10	20
	9	DHC052-3002	Neck cover	1	-	-	20
	10	DHC052-3003	Neck post	1	-	-	20
	11	DHC052-3004	Neck post cover	1	-	-	20
	-	DHC052-3005	Tilting bushing	2	-	-	40
-	DHC052-3006	Tilting spring	2	-	-	40	
LUMBAR	12	DHC052-4001	Lumbar frame	1	510 x 435 x 425	13.2	100
	13	DHC052-4002	Lumbar pad	1	510 x 435 x 355	9.4	60
	-	DHC052-4003	Lumbar handle	1	420 x 280 x 300	6.5	470
	-	DHC052-4004	Lumbar adjustment rail	1	420 x 280 x 300	11.4	700
	-	DHC052-4005	Lumbar adjustment cuation	2	-	-	-
FRAME	14	DHC052-5010	D5-200 frame	1	330 x 330 x 110	29.4	20
ARM	15	DHA-930L	Dynamic - I L	1	460 x 450 x 300	10.3	5
	16	DHA-930R	Dynamic - I R	1	-	-	5
MECHANISM	17	DHM-300	Pron - II	1	590 x 510 x 170	20	4
BASE	18	KGL1100-5035AD	Gas lift	1	300 x 253 x 105	9.8	10
	19	DHB-200	Injection base	1	660 x 560 x 435	14.8	6
	20	C-50B	Ø50 Castor (black)	5	460 x 290 x 440	28.5	250

D3-100

SERIES

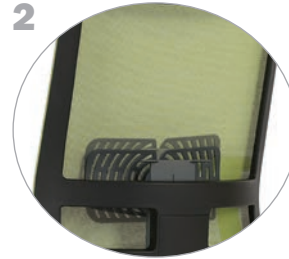
The D3-100 series has a modern design that satisfies the users and provides various functions. The natural color and the impact of a straight line chair ensures means it can be used anywhere and is sure to make your working space seem more vibrant and active.





1 **ADJUSTABLE HEADREST**

According to the user's body type and posture, it is possible to adjust headrest height.



2 **ADJUSTABLE LUMBAR SUPPORT**

According to the user's body type and posture, it is possible to adjust the lumbar support up and down.



3 **ADJUSTABLE ARMREST**

It is possible to adjust the armrest's height.
*It is possible to choose a fixed armrest.



4 **4 DIFFERENT TILTING POSITIONS**

It is possible to adjust the tilting lock position by turning the lever on the left side of the bottom of the chair. There is also a function to pull it to unlock tilting.



5 **ADJUSTABLE HEIGHT**

The height of the chair can be adjusted by turning the lever on the right side of the bottom of the chair.



6 **SYNCHRONIZED TILTING FUNCTION**

The backrest and seat can be tilted to different angles to allow for the most possible comfort.



7 **TILTING TENSION ADJUSTMENT**

According to the user's weight or posture, it is possible to adjust the tilting angle of the backrest.

ITEM LIST



D3-100

W660 x D625 x H925~1015



D3-100WL

W660 x D625 x H925~1015



D3-100H

W660 x D635 x H1130~1220



D3-100WHL

W660 x D635 x H1130~1220



D3-101

W635 x D625 x H925~1015



D3-101L

W635 x D625 x H925~1015



D3-101H

W635 x D635 x H1130~1220



D3-101HL


W635 x D635 x H1130~1220



D3-111HL

W635 x D610 x H1195~1285

- 1. Adjustable headrest
- 2. Adjustable lumbar support
- 3. Adjustable armrest
- 4. Adjustable seat depth
- 5. 4 different tilting positions / 3 different limit positions
- 6. Adjustable height
- 7. Synchronized tilting function
- 8. Tilting tension adjustment

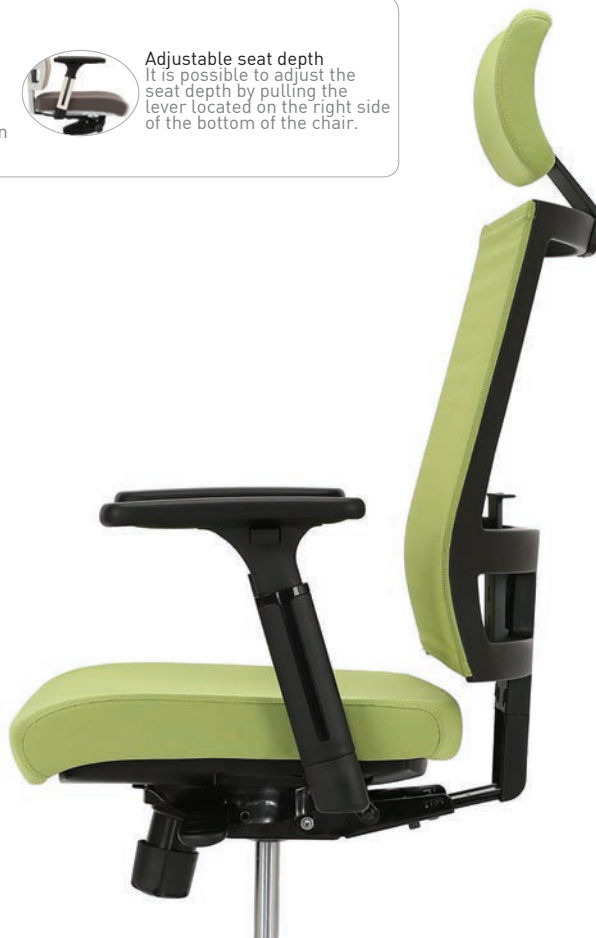


Adjustable seat depth
It is possible to adjust the seat depth by pulling the lever located on the right side of the bottom of the chair.



D3-120

W564 x D618 x H980
(Fixed Glide is available)





DETAILED PARTS

COLOR VARIATION



OPTION-MECHANISM



DHM-1310



DHM-1320



DHM-250

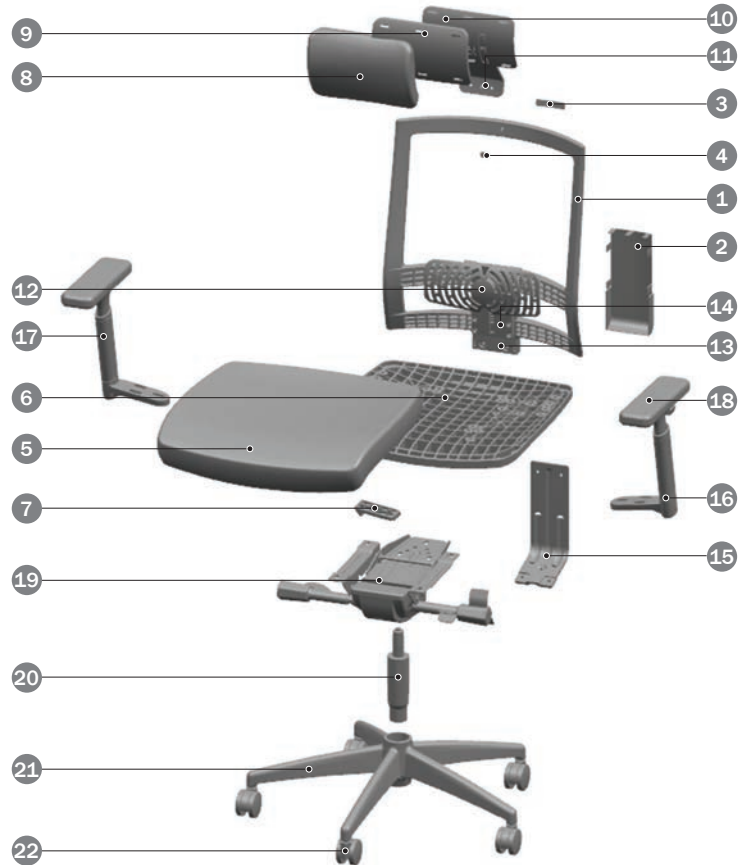


DHM-230

OPTION-ARMREST



DHA-240



D3-111HL COMPONENT LIST

CATEGORY	NO.	CODE NO.	DESCRIPTION	Q'TY	Carton Size WxDxH	G.W/Kg	Q'TY/CTN
BACK	1	DHC031-1001	Back frame	1	550 x 410 x 475	18.9	10
	2	DHC031-1002	Back cover	1	645 x 515 x 245	14.7	140
	3	DHC031-1003	Logo	1	240 x 180 x 60	-	2000
	4	DHC031-1004	Logo cap	1	-	-	-
SEAT	5	DHC051-2000	Seat sponge	1	520 x 510 x 900	9.4	15
	6	DHC051-2001	Seat	1	500 x 430 x 470	22.7	10
	7	DHC051-2003	Seat lever	1	610 x 510 x 280	18.5	400
	-	DHC051-2004	Seat lever spring	1	270 x 250 x 130	2.6g	2000
HEAD	8	DHC051-3000	Neck sponge	1	515 x 335 x 595	5.2	50
	9	DHC051-3001	Neck core	1	595 x 495 x 185	12.9	100
	10	DHC051-3002	Neck cover	1	570 x 470 x 235	16.5	100
	11	DHC031-3001	D3-100 Neck post	1	340 x 330 x 245	17.2	70
LUMBAR	12	DHC031-4001	Lumbar shell	1	505 x 490 x 145	3.6	25
	13	DHC031-4002	Lumbar frame	1	615 x 520 x 295	16.7	100
	14	DHC031-4003	Lumbar guide	1	-	-	100
	-	DHC051-4014	Lumbar spring	1	440 x 340 x 200	17.5	1500
FRAME	15	DHC031-5020	D3-111 frame	1	330 x 330 x 110	33.4	20
ARM	16	DHA-250	Aries armrest L (without pad)	1	530 x 420 x 220	6.3	10
	17	DHA-250	Aries armrest R (without pad)	1	530 x 420 x 220	6.3	10
	18	DHAP-250	Air mesh armrest Pad	2	620 x 280 x 180	16.2	40
MECHANISM	19	DHM-230	Synchron - II (SLIDE)	1	560 x 560 x 170	20.5	4
BASE	20	KGL1108-5040T	Gas lift	1	300 x 253 x 105	9.1	10
	21	DHB-200	Injection base	1	660 x 560 x 435	14.8	6
	22	C-60B	φ60 Castor	5	460 x 290 x 350	24.6	250

D2-100

SERIES

The D2-100 designed with luxury in mind.
It pursues both aesthetic appeal and a feeling of comfort.





1 ADJUSTABLE HEADREST

According to the user's body type and posture, it is possible to adjust headrest height.



2 ADJUSTABLE LUMBAR SUPPORT

According to the user's body type and posture, it is possible to adjust the lumbar support up and down.



3 ADJUSTABLE ARMREST

It is possible to adjust the armrest's height.
*It is possible to choose a fixed armrest.



4 3 DIFFERENT LIMIT POSITIONS

According to the user's weight or posture, it is possible to choose the range of the tilting angle.



5 ADJUSTABLE HEIGHT

The height of the chair can be adjusted by turning the lever on the right side of the bottom of the chair.



6 SYNCHRONIZED TILTING FUNCTION

The backrest and seat can be tilted to different angles to allow for the most possible comfort.

ITEM LIST



D2-100

W630 x D545 x H890~980



D2-101

W610 x D545 x H890~980



D2-110

W630 x D600 x H890~980



D2-110L

W630 x D600 x H890~980



D2-110H

W630 x D610 x H1105~1195



D2-110HL

W630 x D610 x H1105~1195



D2-111

W605 x D600 x H890~980



D2-111L

W605 x D600 x H890~980



D2-111H

W605 x D610 x H1105~1195



D2-111HL

W605 x D610 x H1105~1195





DETAILED PARTS

COLOR VARIATION



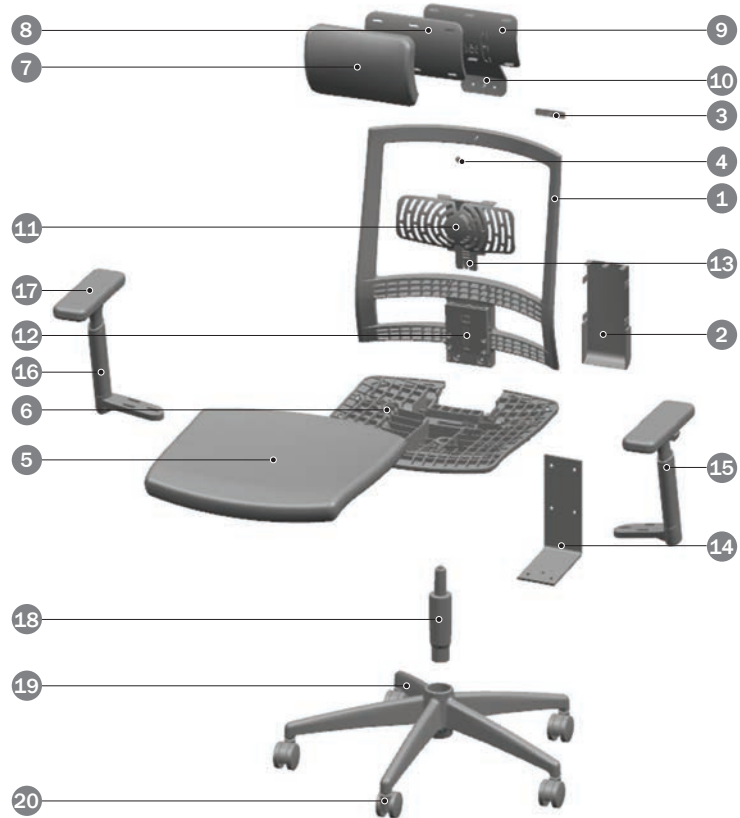
BK

OPTION-MECHANISM

OPTION-ARMREST



DHA-220



D2-111HL COMPONENT LIST

CATEGORY	NO.	CODE NO.	DESCRIPTION	Q'TY	Carton Size WxDxH	G.W/Kg	Q'TY/CTN
BACK	1	DHC031-1001	Back frame	1	550 x 410 x 475	18.9	10
	2	DHC031-1002	Back cover	1	645 x 515 x 245	14.7	140
	3	DHC031-1003	Logo	1	240 x 180 x 60	-	2000
	4	DHC031-1004	Logo cap	1	-	-	-
SEAT MECHANISM	5	DHC021-2000	Seat sponge	1	550 x 490 x 900	11	15
	6	DHC021-2001	Seat frame set	1	530 x 450 x 475	17.7	5
	-	DHC021-2002	Seat cover	1	685 x 510 x 360	19	60
	-	DHC021-2003	Link cover	1	680 x 480 x 360	20.6	160
HEAD	7	DHC051-3000	Neck sponge	1	515 x 335 x 595	5.2	50
	8	DHC051-3001	Neck core	1	595 x 495 x 185	12.9	100
	9	DHC051-3002	Neck cover	1	570 x 470 x 235	16.5	100
	10	DHC031-3001	D3-100 Neck post	1	340 x 330 x 245	17.2	70
LUMBAR	11	DHC031-4001	Lumbar shell	1	505 x 490 x 145	3.6	25
	12	DHC031-4002	Lumbar frame	1	615 x 520 x 295	16.7	100
	13	DHC031-4003	Lumbar guide	1	-	-	100
	-	DHC051-4014	Lumbar spring	1	440 x 340 x 200	17.5	1500
FRAME	14	DHC021-5010	D2-110 frame	1	330 x 330 x 110	28.5	20
ARM	15	DHA-250	Aries armrest L (without pad)	1	530 x 420 x 220	6.3	10
	16	DHA-250	Aries armrest R (without pad)	1	530 x 420 x 220	6.3	10
	17	DHAP-250	Air mesh armrest pad	2	620 x 280 x 180	16.2	40
BASE	18	KGL1100-5035AD	Gas lift	1	300 x 253 x 105	9.8	10
	19	DHB-200	Injection base	1	660 x 560 x 435	14.8	6
	20	C-50B	φ50 Castor (black)	5	460 x 290 x 440	28.5	250

D2-200

SERIES

The D2-200 series with simplicity and modern design. Various functions provide the users with comfort so it feels soft even after a long period of time.





1
ADJUSTABLE HEADREST

According to the user's body type and posture, it is possible to adjust headrest height.



2
ADJUSTABLE ARMREST

It is possible to adjust the armrest's height, move it forward or backward, and rotate its angle.
*It is possible to choose a fixed armrest.



3
5 DIFFERENT TILTING POSITIONS

It is possible to adjust the tilting lock position by turning the lever on the left side of the bottom of the chair. There is also a function to pull it to unlock tilting.



4
ADJUSTABLE HEIGHT

The height of the chair can be adjusted by turning the lever on the right side of the bottom of the chair.



5
SYNCHRONIZED TILTING FUNCTION

The backrest and seat can be tilted to different angles to allow for the most possible comfort.



6
TILTING TENSION ADJUSTMENT

According to the user's weight or posture, it is possible to adjust the tilting angle of the backrest

ITEM LIST



D2-200

W650 x D600 x H960~1050



D2-200H

W650 x D610 x H1115~1205



D2-201

W625 x D600 x H960~1050



D2-201H

W625 x D610 x H1115~1205



D2-210

W625 x D585 x H910~1000



D2-210H

W625 x D595 x H1065~1155



D2-220

W564 x D650 x H1003
(Fixed Glide is available)





DETAILED PARTS

COLOR VARIATION



BK

OPTION-MECHANISM



DHM-1400

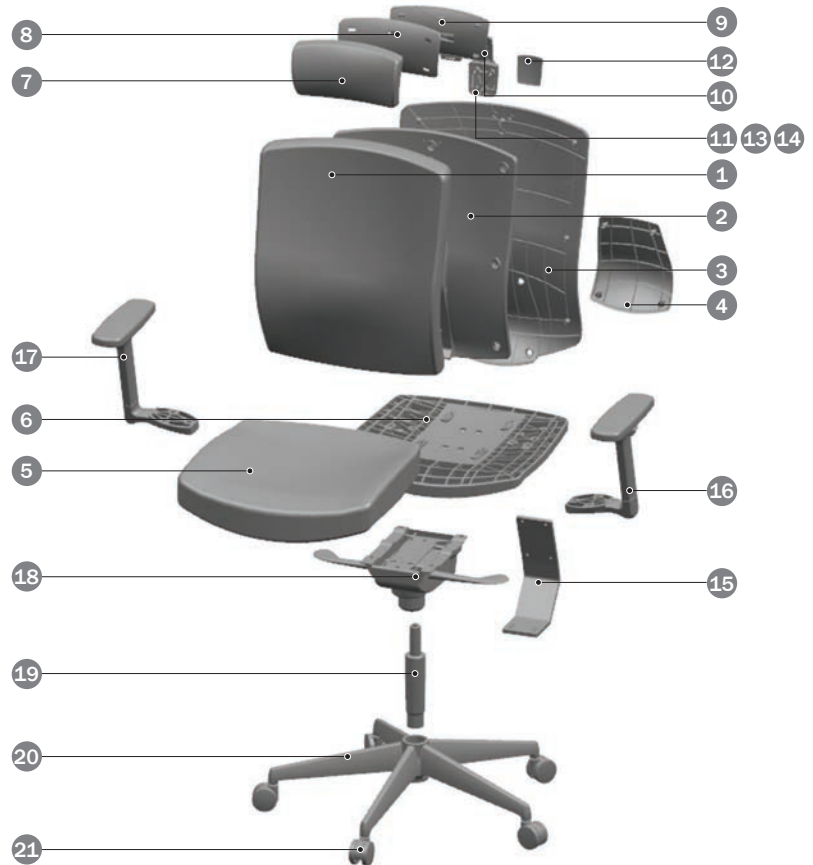


DHM-001(02)

OPTION-ARMREST



DHA-210



D2-201H COMPONENT LIST

CATEGORY	NO.	CODE NO.	DESCRIPTION	Q'TY	Carton Size WxDxH	G.W/Kg	Q'TY/CTN
BACK	1	DHC022-1000	Back frame sponge	1	700 x 540 x 750	10.3	15
	2	DHC022-1001	Back core	1	510 x 490 x 660	21.8	20
	3	DHC022-1002	Back cover	1	495 x 355 x 590	18.8	10
	4	DHC022-1003	Back frame cover	1	505 x 400 x 220	8.8	40
	-	DHC022-1004	Connect	11	-	-	-
SEAT	5	DHC022-2000	Seat sponge	1	520 x 510 x 900	9.4	15
	6	DHC022-2001	Seat	1	515 x 390 x 490	23.7	10
HEAD	7	DHC052-3000	Neck sponge	1	515 x 335 x 595	5	60
	8	DHC052-3001	Neck core	1	540 x 530 x 145	9.1	20
	9	DHC052-3002	Neck cover	1	-	-	20
	10	DHC022-3001	Neck post	1	-	-	20
	11	DHC022-3002	Neck post core	1	-	-	20
	12	DHC022-3003	Neck post cover	1	-	-	20
	13	DHC022-3004	Tilting bushing	2	-	-	40
	14	DHC022-3005	Tilting spring	2	-	-	40
FRAME	15	DHC022-5010	D2-200 frame	1	330 x 330 x 110	31.2	20
ARM	16	DHA-930L	Dynamic - I L	1	460 x 450 x 300	10.3	5
	17	DHA-930R	Dynamic - I R	1	-	-	5
MECHANISM	18	DHM-300	Pron - II	1	590 x 510 x 170	20	4
BASE	19	KGL1100-5035AD	Gas lift	1	300 x 253 x 105	9.8	10
	20	DHB-200	Injection base	1	660 x 560 x 435	14.8	6
	21	C-50B	∅50 Castor (Black)	5	460 x 290 x 440	28.5	250

D2-300

SERIES

The D2-300 series with a round design as a heart type.
It has a refreshing color and neat design that feels comfortable.



**1** **SYNCHRONIZED TILTING FUNCTION**

The backrest and seat can be tilted to different angles to allow for the most possible comfort.

**2** **TILTING TENSION ADJUSTMENT**

According to the user's weight or posture, it is possible to adjust the tilting angle of the backrest.

**3** **ADJUSTABLE HEIGHT**

The height of the chair can be adjusted by turning the lever on the right side of the bottom of the chair.

ITEM LIST



D2-300

W605 x D585 x H850~940



D2-301

W660 x D580 x H890~980
(Adjustable armrest height,
Rotatable angle)



D2-310

W575 x D570 x H860





D2-400

SERIES

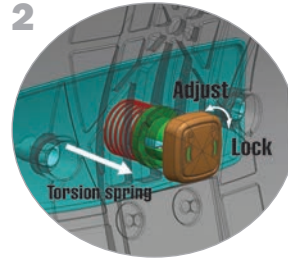
The D2-400 has a modern design that makes users feel comfortable.
Its lumbar support function allows users to feel softness.





1
ADJUSTABLE HEADREST

According to the user's body type and posture, it is possible to adjust headrest height.



2
LUMBAR FUNCTION

User can adjust tension with on/off button and 15mm tension spring gives softness while sitting.



3
ADJUSTABLE ARMREST

It is possible to adjust the armrest's height, move it forward or backward, and rotate its angle.
*It is possible to choose a fixed armrest.



4
SYNCHRONIZED TILTING FUNCTION

The backrest and seat can be tilted to different angles to allow for the most possible comfort.



5
ADJUSTABLE HEIGHT

The height of the chair can be adjusted by turning the lever on the right side of the bottom of the chair.



6
4 DIFFERENT LIMIT POSITIONS

According to the user's weight or posture, it is possible to choose the range of the tilting angle.

ITEM LIST



D2-400

W660 x D600 x H965~1055



D2-400L

W660 x D600 x H965~1055



D2-400H

W660 x D625 x H1115~1205



D2-400HL

W660 x D625 x H1115~1205



D2-401

W700 x D610 x H990~1080



D2-401L

W700 x D610 x H990~1080



D2-401H

W700 x D635 x H1140~1230



D2-401HL

W700 x D635 x H1140~1230

You can choose either one of handle



1. Injection handle



2. plated handle





DETAILED PARTS

COLOR VARIATION



BK

OPTION-MECHANISM



DHM-1320



DHM-023

OPTION-ARMREST



DHA-240



D2-401HL COMPONENT LIST

CATEGORY	NO.	CODE NO.	DESCRIPTION	Q'TY	Carton Size W×D×H	G.W/Kg	Q'TY/CTN
BACK	1	DHC024-1010	Back frame sponge lumbar type	1	700 x 540 x 750	10.4	15
	2	DHC024-1001	Back core	1	650 x 320 x 470	22.7	10
	3	DHC024-1002	Back cover	1	725 x 370 x 500	16.3	10
	-	DHC024-1005	Connect	7	-	-	-
SEAT	4	DHC024-2000	Seat sponge	1	520 x 520 x 630	6.1	10
	5	DHC051-2001	Seat	1	500 x 430 x 470	22.7	10
	6	DHC051-2002	Seat lever cap	1	595 x 495 x 185	7	200
HEAD	7	DHC024-3000	Neck sponge	1	515 x 335 x 595	5	60
	8	DHC024-3001	Neck core	1	590 x 480 x 200	10.4	100
	9	DHC024-3002	Neck cover	1	590 x 480 x 200	5.8	25
	10	DHC024-3003	Neck post lower	1	340 x 330 x 105	2.7	50
	11	DHC024-3004	Neck post body cover front	1	340 x 330 x 105	3	90
	12	DHC024-3005	Neck post lower cover	1	340 x 330 x 105	2.8	90
LUMBAR	13	DHC024-4001	Lumbar support pad	1	610 x 510 x 280	11.2	100
	-	DHC024-4002	Lumbar support axis	1	340 x 330 x 105	1.6	50
	14	DHC024-4003	Lumbar support knob	1	-	-	50
	-	DHC024-4005	Lumbar support spring	1	290 x 280 x 230	8	170
FRAME	15	DHC024-5010	Easy frame	1	330 x 330 x 110	35.5	20
ARM	16	DHA-930L	Dynamic - I L	1	460 x 450 x 300	10.3	5
	17	DHA-930R	Dynamic - I R	1	-	-	-
MECHANISM	18	DHM-1310	Easy - II	1	570 x 570 x 165	16.6	4
BASE	19	KGL1100-5035AD	Gas lift	1	300 x 253 x 105	9.8	10
	20	DHB-200	Injection base	1	660 x 560 x 435	14.8	6
	21	C-50B	∅50 Castor (black)	5	460 x 290 x 440	28.5	250

D2-450

SERIES

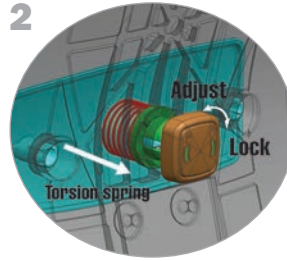
The D2-450 is a simple design that feels warm and cozy. The mesh backrest provides comfort and softness, also lumbar support let users find refreshment.





ADJUSTABLE HEADREST

According to the user's body type and posture, it is possible to adjust headrest height.



LUMBAR FUNCTION

User can adjust tension with on/off button and 15mm tension spring gives softness while sitting.



ADJUSTABLE ARMREST

It is possible to adjust the armrest's height, move it forward or backward, and rotate its angle.
*It is possible to choose a fixed armrest.



SYNCHRONIZED TILTING FUNCTION

The backrest and seat can be tilted to different angles to allow for the most possible comfort.



ADJUSTABLE HEIGHT

The height of the chair can be adjusted by turning the lever on the right side of the bottom of the chair.



4 DIFFERENT LIMIT POSITIONS

According to the user's weight or posture, it is possible to choose the range of the tilting angle.

ITEM LIST



D2-450

W660 x D590 x H965~1055



D2-450L

W660 x D590 x H965~1055



D2-450H

W660 x D615 x H1115~1205



D2-450HL

W660 x D615 x H1115~1205



D2-451

W700 x D600 x H990~1080



D2-451L

W700 x D600 x H990~1080



D2-451H

W700 x D625 x H1140~1230



D2-451HL

W700 x D625 x H1140~1230

You can choose either one of handle



1. Injection handle



2. plated handle





DETAILED PARTS

COLOR VARIATION



BK

OPTION-MECHANISM



DHM-1320

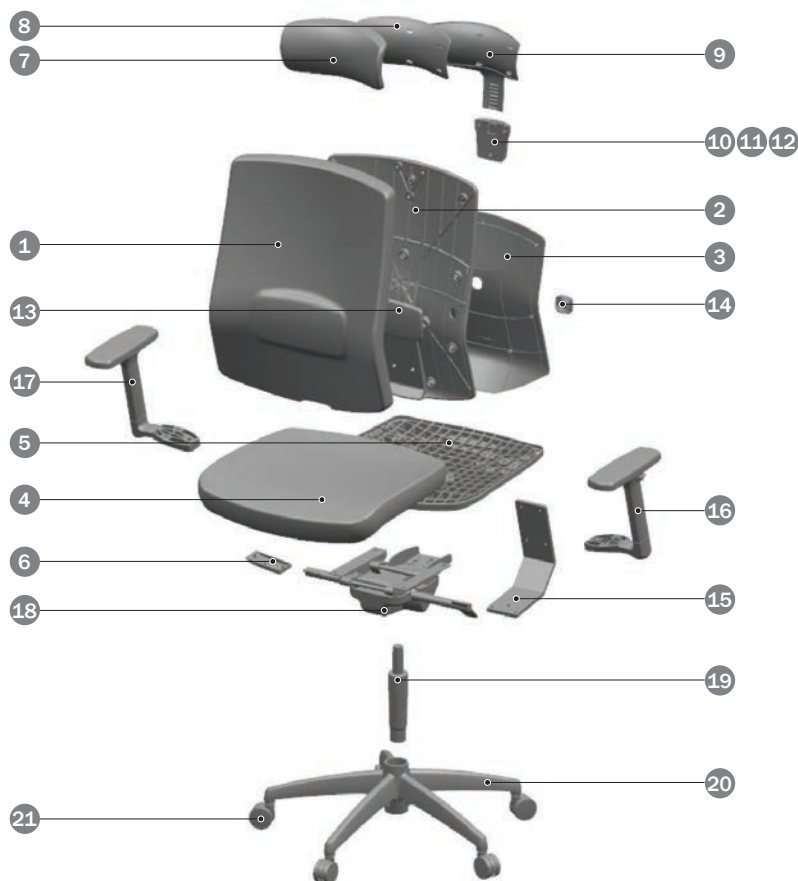


DHM-023

OPTION-ARMREST



DHA-240



D2-451HL COMPONENT LIST

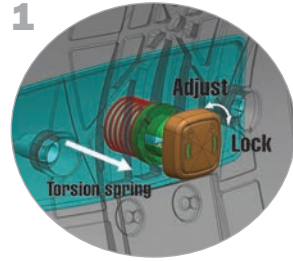
CATEGORY	NO.	CODE NO.	DESCRIPTION	Q'TY	Carton Size WxDxH	G.W/Kg	Q'TY/CTN
BACK	1	DHC024-1010	Back frame sponge lumbar type	1	700 x 540 x 750	10.4	15
	2	DHC024-1001	Back core	1	650 x 320 x 470	22.7	10
	3	DHC024-1004	Back half cover	1	470 x 440 x 490	15.6	20
	-	DHC024-1005	Connect	7	-	-	-
SEAT	4	DHC024-2000	Seat sponge	1	520 x 520 x 630	6.1	10
	5	DHC051-2001	Seat	1	500 x 430 x 470	22.7	10
	6	DHC051-2002	Seat lever cap	1	595 x 495 x 185	7	200
HEAD	7	DHC024-3000	Neck sponge	1	515 x 335 x 595	5	60
	8	DHC024-3001	Neck core	1	590 x 480 x 200	10.4	100
	9	DHC024-3002	Neck cover	1	590 x 480 x 200	5.8	25
	10	DHC024-3003	Neck post lower	1	340 x 330 x 105	2.7	50
	11	DHC024-3004	Neck post body cover front	1	340 x 330 x 105	3	90
	12	DHC024-3005	Neck post lower cover	1	340 x 330 x 105	2.8	90
LUMBAR	13	DHC024-4001	Lumbar support pad	1	610 x 510 x 280	11.2	100
	-	DHC024-4002	Lumbar support axis	1	340 x 330 x 105	1.6	50
	14	DHC024-4003	Lumbar support knob	1	-	-	50
	-	DHC024-4005	Lumbar support spring	1	290 x 280 x 230	8	170
FRAME	15	DHC024-5010	Easy frame	1	330 x 330 x 110	35.5	20
ARM	16	DHA-930L	Dynamic - I L	1	460 x 450 x 300	10.3	5
	17	DHA-930R	Dynamic - I R	1	-	-	-
MECHANISM	18	DHM-1310	Easy - II	1	570 x 570 x 165	16.6	4
BASE	19	KGL1100-5035AD	Gas lift	1	300 x 253 x 105	9.8	10
	20	DHB-200	Injection base	1	660 x 560 x 435	14.8	6
	21	C-50B	∅ 50 Castor (black)	5	460 x 290 x 440	28.5	250

D2-480

SERIES

The D2-480 helps users maintain posture and mesh backrest provides comfort and softness, also lumbar support let users find refreshment.





LUMBAR FUNCTION

User can adjust tension with on/off button and 15mm tension spring gives softness while sitting.



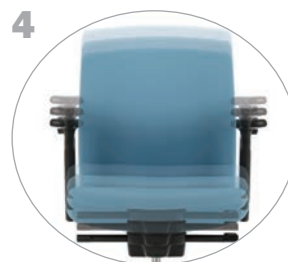
ADJUSTABLE ARMREST

It is possible to adjust the armrest's height.
*It is possible to choose a fixed armrest.



SYNCHRONIZED TILTING FUNCTION

The backrest and seat can be tilted to different angles to allow for the most possible comfort.



ADJUSTABLE HEIGHT

The height of the chair can be adjusted by turning the lever on the right side of the bottom of the chair.



4 DIFFERENT LIMIT POSITIONS

According to the user's weight or posture, it is possible to choose the range of the tilting angle.

ITEM LIST



D2-480

W660 x D590 x H845~935



D2-480L

W660 x D590 x H845~935



D2-481

W635 x D600 x H870~960



D2-481L

W635 x D600 x H870~960

You can choose either one of handle



1. Injection handle



2. plated handle





DETAILED PARTS

COLOR VARIATION



BK

OPTION-MECHANISM



DHM-1320



DHM-023

OPTION-ARMREST



DHA-240



D2-481L COMPONENT LIST

CATEGORY	NO.	CODE NO.	DESCRIPTION	Q'TY	Carton Size WxDxH	G.W/Kg	Q'TY/CTN
BACK	1	DHC024-1030	Back half frame sponge lumbar type	1	620 x 540 x 700	9.1	15
	2	DHC024-1003	Back half core	1	480 x 360 x 520	17.3	10
	3	DHC024-1004	Back half cover	1	470 x 440 x 490	15.7	20
	-	DHC024-1005	Connect	7	-	-	-
SEAT	4	DHC024-2000	Seat sponge	1	520 x 520 x 630	6.1	10
	5	DHC051-2001	Seat	1	500 x 430 x 470	22.7	10
	6	DHC051-2002	Seat lever cap	1	595 x 495 x 185	7	200
LUMBAR	7	DHC024-4001	Lumbar support pad	1	610 x 510 x 280	11.2	100
	-	DHC024-4002	Lumbar support axis	1	340 x 330 x 105	1.6	50
	8	DHC024-4003	Lumbar support knob	1	-	-	50
	-	DHC024-4005	Lumbar support spring	1	290 x 280 x 230	8	170
FRAME	9	DHC024-5010	Easy frame	1	330 x 330 x 110	35.5	20
ARM	10	DHA-250	Aries armrest L (without pad)	1	530 x 420 x 220	6.3	10
	11	DHA-250	Aries armrest R (without pad)	1	530 x 420 x 220	6.3	10
	12	DHA P-250	Air mesh armrest pad	1	620 x 280 x 180	16.2	40
MECHANISM	13	DHM-1310	Easy - II	1	570 x 570 x 165	16.6	4
BASE	14	KGL1100-5035AD	Gas lift	1	300 x 253 x 105	9.8	10
	15	DHB-200	Injection base	1	660 x 560 x 435	14.8	6
	16	C-50B	φ50 Castor (black)	5	460 x 290 x 440	28.5	250

D1-100

SERIES

D1-100, suitable for growing children.
Curved and vivid colors make users feel more comfortable.





1
ADJUSTABLE BACK DEPTH, HEIGHT
Depending on user's body type, depth and height of the backrest are adjustable by 5 positions.



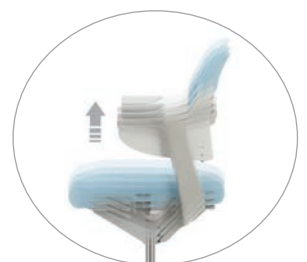
2
ADJUSTABLE SEAT DEPTH

Users can adjust the seat depth by using a lever located on the left side on the bottom.



3
ADJUSTABLE HEIGHT

The height of the chair can be adjusted by turning the lever on the right side of the bottom of the chair.



ITEM LIST



D1-100
W610 x D470 x H820~915



Users can adjust the depth & height to 5 positions



1. Remove the locking lever.
2. Users can move the chair as desired by holding both sides of the chair.
3. Stop at the point which makes "phut" sounds.
4. Fix the position by locking lever.

Washable seat cover



1. Seat cover with rubber band is detachable and washable.
- ※ Seat cover is optional

Users can wash the fabric of the chair

Remove the back cover fabric



1. At the same time pull down the logo and remove the back cover.

Attach the back cover fabric



1. Pull the fabric all the way down on the inside (seat side).
2. At the inside bottom tuck the strip of fabric into the groove.
3. Be sure to tuck the strip well into the groove.
4. Pull and adjust the fabric tightly inside and outside in order to avoid wrinkles.



DETAILED PARTS

COLOR VARIATION



OPTION-FABRIC

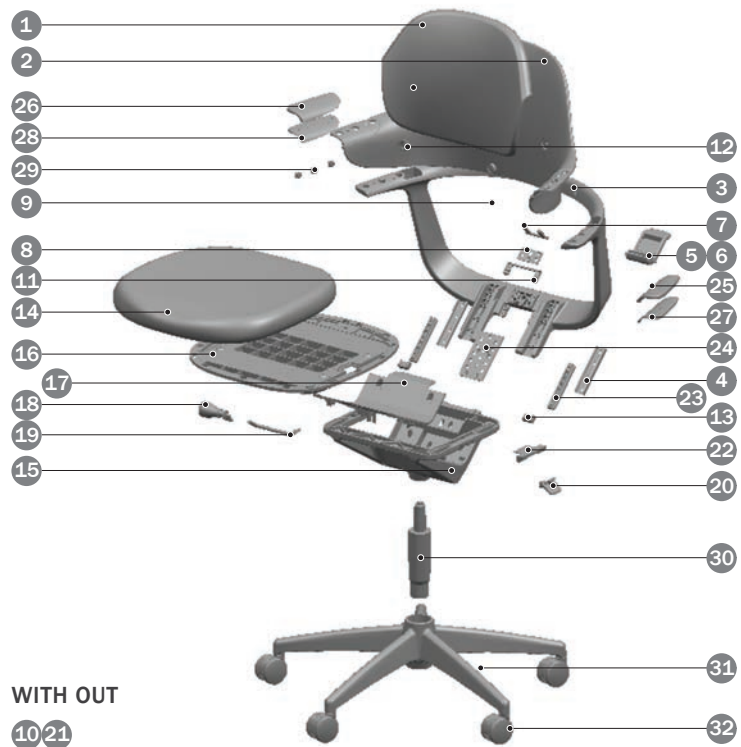


OPTION-FOOTREST



DHF-100

※ Footrest is optional



WITH OUT

10 21

D1-100 COMPONENT LIST

CATEGORY	NO.	CODE NO.	DESCRIPTION	Q'TY	Carton Size WxDxH	G.W/Kg	Q'TY/CTN
BACK	1	DHC011-1000	Back fabric	1	-	-	-
	2	DHC011-1001	Back shell	1	-	-	-
	3	DHC011-1002	Back post	1	-	-	-
	4	DHC011-1003	Back rail	2	-	-	-
	5	DHC011-1004	Back lever	1	-	-	-
	6	DHC011-1005	Back lever pin	1	-	-	-
	7	DHC011-1006	Back pin	1	-	-	-
	8	DHC011-1007	Back lever cover	1	-	-	-
	9	DHC011-1008	Back ball	1	-	-	-
	10	DHC011-1009	Back ball spring	1	-	-	-
	11	DHC011-1010	Back ball plate	1	-	-	-
	12	DHC011-1011	Back shell cap	2	-	-	-
	13	DHC011-1012	Back rail cap	2	-	-	-
SEAT	14	DHC011-2000	Seat sponge	1	-	-	-
	15	DHC011-2001	Tilt body	1	-	-	-
	16	DHC011-2002	Seat frame	1	-	-	-
	17	DHC011-2003	Tilt cover	2	-	-	-
	18	DHC011-2004	Tilt lever handle	1	-	-	-
	19	DHC011-2005	Tilt lever frame	1	-	-	-
	20	DHC011-2006	Seat depth lever	1	-	-	-
	21	DHC011-2007	Seat depth spring	1	-	-	-
	22	DHC011-2008	Seat depth cover	2	-	-	-
	23	DHC011-2009	Tilt rail	1	-	-	-
	24	DHC011-2010	Tilt slide plate	1	-	-	-
ARM	25	DHC011-3000	Back armpad L	1	-	-	-
	26	DHC011-3001	Back armpad R	1	-	-	-
	27	DHC011-3002	Back armpad core L	1	-	-	-
	28	DHC011-3003	Back armpad core R	1	-	-	-
	29	DHC011-3004	Connector	6	-	-	-
BASE	30	KGL1108-5030A	Gas lift	1	300 x 253 x 105	10.4	10
	31	DHB-200	Injection base	1	660 x 560 x 435	14.8	6
	32	C-50W	castor	5	460 x 290 x 440	28.5	250

※ Finished goods : W640 x D550 x H525 (20Ft - 144 BOX / 40Ft - 288 BOX)

※ Parts (fabric) : W440 x D360 x H200 (20Ft - 858 BOX / 40Ft - 1760 BOX) 20EA per box(back or seat)

DM3-100~300

SERIES

The DM3 series makes better use of any spaces, such as a conference room, seminar room or classroom. Its folding functions make horizontal loading possible and the backrest tilting function allows users to feel comfortable.





HORIZONTAL LOADING

Stand the chair upright vertically, then push it smoothly. It also makes better use of space.



BACKREST TILTING

Using a special material (a torsion bar), it allows the backrest and armrest to move together when tilting the chair.



FOLDING

Stand the chair upright vertically, then push it to fold the chairs.

ITEM LIST



DM3-100
W510 x D580 x H865
(mesh / without armrest)



DM3-101
W610 x D580 x H865
(mesh / with armrest)



DM3-111
W600 x D580 x H865
(mesh / with armrest)
* Backrest tilting



DM3-200
W510 x D580 x H865
(Pad / without armrest)



DM3-201
W610 x D580 x H865
(Pad / with armrest)



DM3-211
W600 x D580 x H865
(Pad / with armrest)
* Backrest tilting



DM3-300
W510 x D580 x H865
(Shell / without armrest)



DM3-301
W610 x D580 x H865
(Shell / with armrest)



DM3-311
W600 x D580 x H865
(Shell / with armrest)
* Backrest tilting





DETAILED PARTS

COLOR VARIATION



BK



DM3-111 COMPONENT LIST

CATEGORY	NO.	CODE NO.	DESCRIPTION	Q'TY	Carton Size WxDxH	G.W/Kg	Q'TY/CTN
BACK	1	DHC031-M1001	Back frame	1	520 x 430 x 450	12.5	10
	2	DHC031-M1002	Back mesh core	1	490 x 460 x 430	8	20
	3	DHC031-M2000	Seat sponge	1	520 x 470 x 800	6.4	15
SEAT	4	DHC031-M2001	Seat	1	460 x 300 x 460	20.7	10
	5	DHC031-M2002	Seat cover	1	520 x 430 x 440	16.9	20
	6	DHC031-M2003	Seat bracket	2	420 x 280 x 300	11.4	200
	7	DHC031-M2004	Seat bracket bushing	2	420 x 280 x 300	10	3000
ARMREST	8	DHC031-M3001	Armrest L	1	520 x 430 x 420	16.6	20
	9	DHC031-M3002	Armrest R	1	-	-	20
	10	DHC031-M3003	Armrest end cap	2	420 x 280 x 300	3	5000
FRAME	11	DHC031-M4001	Torsion bar	1	545 x 85 x 70	22.8	100
	12	DHC031-M4020	Pipe frame (tilting type)	-	-	3.1	-
	13	DHC031-M4021	Tilting casting L	1	430 x 300 x 290	21	25
	14	DHC031-M4022	Tilting casting R	1	430 x 300 x 290	21	25
	15	DHC031-M4023	Tilt bushing	2	420 x 280 x 300	6.3	600
	16	DHG-300C	Castor support	4	420 x 280 x 300	12.3	700
	17	C-50B	Ø50 castor (black)	4	460 x 290 x 440	28.5	250
OTHER COMPONENTS	-	DHC031-M1003	Back pad core	1	490 x 460 x 430	17.3	25
	-	DHC031-M1004	Back shell	1	510 x 420 x 430	16.5	25
	-	DHC031-M3004	Armrest bushing	2	420 x 280 x 300	10.4	570
	-	DHC031-M4002	Body end cap	2	420 x 280 x 300	4.5	1500
	-	DHC031-M4010	Pipe frame (Fixed type)	-	-	3.1	-
	-	DHC031-M4011	Fixed casting L	1	430 x 300 x 290	34.5	100
	-	DHC031-M4012	Fixed casting R	1	430 x 300 x 290	34.5	100

DM3-400

SERIES

The DM3-400 series with simplicity and an ergonomic design.
Backrest tilting function and horizontal loading is possible.
Higher backrest allows users to feel comfortable even after a long time.





HORIZONTAL LOADING

Stand the chair upright vertically, then push it smoothly. It also makes better use of space.



BACKREST TILTING

Using a special material (a torsion bar), it allows the backrest and armrest to move together when tilting the chair.



FOLDING

Stand the chair upright vertically, then push it to fold the chairs.



MESH BACKREST

The mesh backrest is elastic and permeable, and allows user to sit on the chair consistently

ITEM LIST



DM3-400
W530 x D580 x H880



DM3-400G
W530 x D580 x H880
(Fixed Glide)



DM3-401
W590 x D580 x H880



DM3-401G
W590 x D580 x H880
(Fixed Glide)



DM3-400W
W 530 x D 580 x H 880



DM3-400WG
W 530 x D 580 x H 880
(Fixed Glide)



DM3-401W
W 590 x D 580 x H 880



DM3-401WG
W 590 x D 580 x H 880
(Fixed Glide)



DM3-410
W 530 x D 580 x H 905~1000



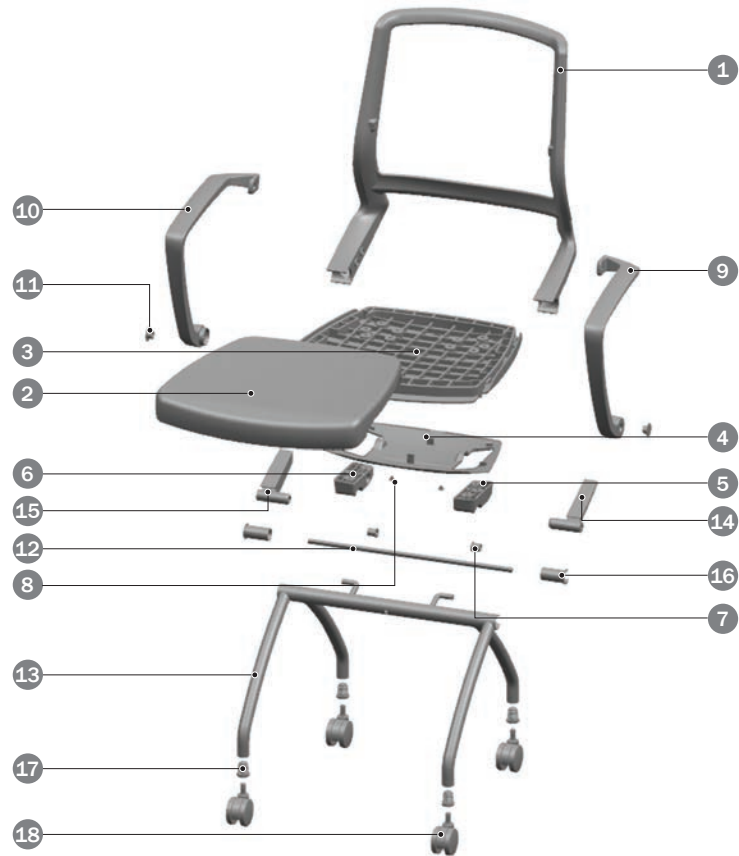
DM3-411
W 590 x D 580 x H 905~1000





DETAILED PARTS

COLOR VARIATION



DM3-401 COMPONENT LIST

CATEGORY	NO.	CODE NO.	DESCRIPTION	Q'TY	Carton Size WxDxH	G.W/Kg	Q'TY/CTN
BACK	1	DHC034-M1001	Back frame	1	520 x 430 x 650	9.1	5
	2	DHC015-M2000	Seat sponge	1	520 x 480 x 880	9	20
SEAT	3	DHC015-M2001	Seat	1	520 x 430 x 500	18.9	10
	4	DHC034-M2001	Seat cover	1	450 x 345 x 320	3.9	14
	5	DHC034-M2002	Seat bracket L	1	545 x 545 x 230	11.6	100
	6	DHC034-M2003	Seat bracket R	1	545 x 545 x 230	11.6	100
	7	DHC034-M2004	Seat bracket bushing	2	420 x 280 x 300	4.9	1000
	8	DHC015-M2004	Noise end cap	2	-	-	1000
	9	DHC034-M3001	Armrest L	1	430 x 420 x 350	9.8	10
	10	DHC034-M3002	Armrest R	1	-	-	10
ARMREST	11	DHC034-M3003	Armrest end cap	2	420 x 280 x 300	10	4000
FRAME	12	DHC031-M4001	Torsion bar	1	545 x 85 x 70	22.8	100
	13	DHC034-M4010	Pipe frame	1	-	2.9	-
	14	DHC034-M4011	Casting L	1	305 x 230 x 160	16	50
	15	DHC034-M4012	Casting R	1	305 x 230 x 160	16	50
	16	DHC034-M4013	Pipe bushing	2	420 x 280 x 300	6	600
	17	DHG-200C	Castor support	4	420 x 280 x 300	8.8	1000
	18	C-50B	ø50 castor (black)	4	460 x 290 x 440	28.5	250
	OTHER COMPONENTS	-	DHC034-M4014	Pipe end cap	1	420 x 280 x 300	8
-		DHG-200	Glide (4leg type)	4	420 x 280 x 300	8.8	1000
-		DHC034-M4020	Pipe frame (swivel type)	1	420 x 280 x 300	12.5	450
-		DHM-030	Injection locking	1	590 x 480 x 200	16.3	50
-		KGL1108-5030A	Gas lift	1	300 x 253 x 105	10.4	10
-		DHB-200	Injection base	1	660 x 560 x 435	14.8	6

DM2-100

SERIES

The DM2-100 series with an understated curve
and a lucid straight line.

The backrest tilting function and the fabric seat
lets the user feel comfortable.





VERTICAL LOADING

Vertical loading is possible with or without the armrest.



BACKREST TILTING

when you lean your back, the backrest is tilted individually.

ITEM LIST



DM2-100
W545 x D520 x H850



DM2-100P
W545 x D520 x H850
(Seat pad)



DM2-100AP
W545 x D520 x H850
(Backrest, seat pad)



DM2-101
W620 x D520 x H850



DM2-101P
W620 x D520 x H850
(Seat pad)



DM2-101AP
W620 x D520 x H850
(Backrest, seat pad)



DM2-100C
W545 x D520 x H850



DM2-101PC
W620 x D520 x H850
(Seat pad)



DM2-110AP
W555 x D550 x H784~879
(Backrest, seat pad)



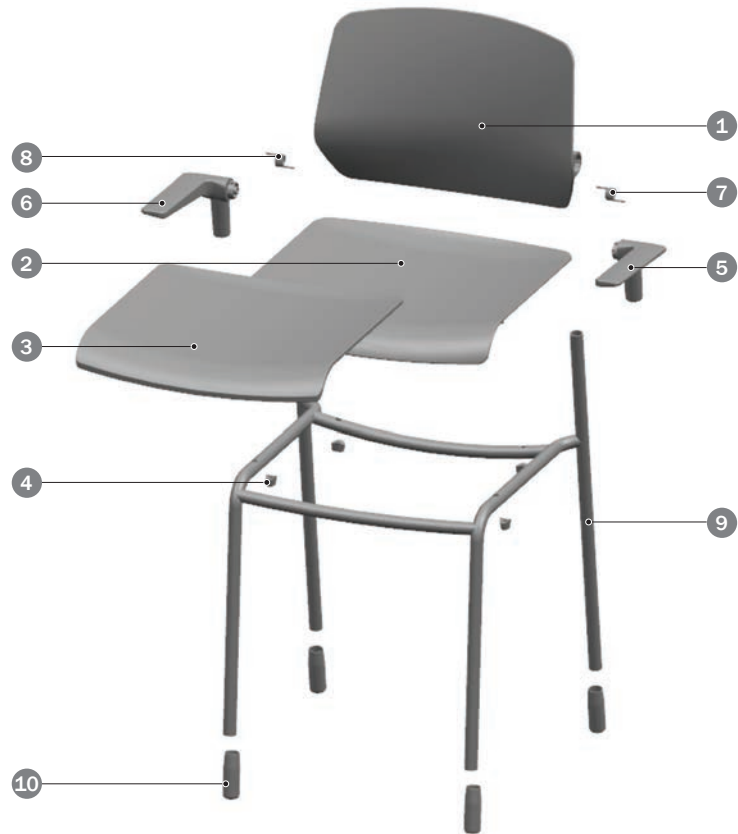
DM2-112AP
W630 x D550 x H784~879
(Backrest, seat pad)





DETAILED PARTS

COLOR VARIATION



DM2-101P COMPONENT LIST

CATEGORY	NO.	CODE NO.	DESCRIPTION	Q'TY	Carton Size W×D×H	G.W/Kg	Q'TY/CTN
BACK	1	DHC021-M1001	Back frame	1	485 x 325 x 560	21	20
SEAT	-	DHC021-M2000	Seat sponge	1	500 x 500 x 1000	6	100
	2	DHC021-M2001	Seat	1	470 x 390 x 470	22	20
	3	DHC021-M2002	Seat pad core	1	440 x 350 x 445	22.5	30
	4	DHC013-M2003	Damper	4	280 x 210 x 300	4.6	2000
ARMREST	5	DHC021-M3011	Armrest L	1	590 x 480 x 200	13.2	25
	6	DHC021-M3012	Armrest R	1	-	-	25
	7	DHC021-M3003	Spring L	1	440 x 340 x 200	30.4	800
	8	DHC021-M3004	Spring R	1	440 x 340 x 200	30.4	800
FRAME	9	DHC021-M4010	Pipe frame	1	-	3.2	-
	10	DHG-1210	Glide	4	475 x 325 x 550	16	600
	-	DHG-1210E	Glide end cap	4	-	-	600
OTHER COMPONENTS	-	DHC021-M3001	Arm rest L	1	590 x 480 x 200	9	50
	-	DHC021-M3002	Arm rest R	1	-	-	50
	-	DHC021-M4020	Pipe frame (castor type)	1	-	2.95	-
	-	DHC021-M4030	Pipe frame (swivel)	1	-	3.1	-
	-	DHM-035	Folding locking (basic type)	1	600 x 500 x 230	18.5	25
	-	KGL1108-5030A	Gas lift	1	300 x 253 x 105	10.4	10
	-	DHG-200C	Castor support	4	420 x 280 x 300	8.8	1000
	-	DHB-200	Injection base	1	660 x 560 x 435	14.8	6
	-	C-50B	∅50 castor (black)	5	460 x 290 x 440	28.5	250

DM2-200

SERIES

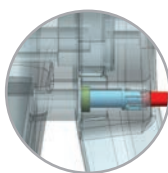
Its folding function and horizontal loading makes better use of any space. Backrest tilting and tilting lock function allows users to use it in various ways. Natural design and luxury mesh backrest makes users feel more comfortable.





BACKREST TILTING

when you lean your back, the backrest is tilted individually.



BACKREST TILTING LOCK FUNCTION

Tilting function can be adjusted by turning the lever on the rear of the backrest.



FOLDING

Stand the chair upright vertically, then push it to fold the chairs.



HORIZONTAL LOADING

Stand the chair upright vertically, then push it smoothly. It also makes better use of space.

ITEM LIST



DM2-200
W585 x D585 x H839



DM2-200G
W585 x D585 x H839
(Fixed Glide)



DM2-201
W550 x D585 x H839



DM2-201G
W550 x D585 x H839
(Fixed Glide)



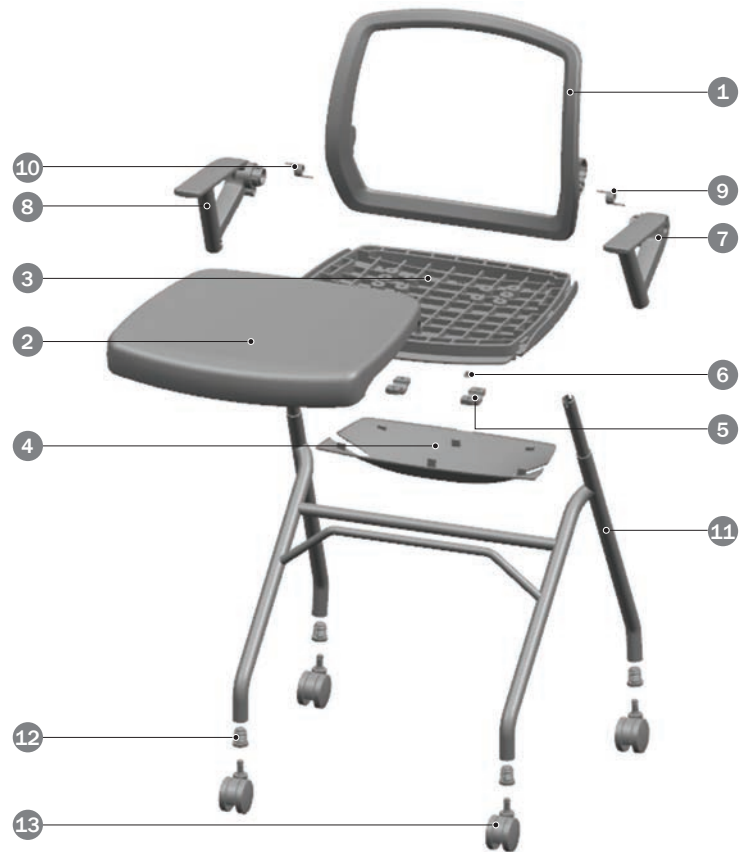
DM2-210
W585 x D595 x H835~930





DETAILED PARTS

COLOR VARIATION



DM2-200 COMPONENT LIST

CATEGORY	NO.	CODE NO.	DESCRIPTION	Q'TY	Carton Size WxDxH	G.W/Kg	Q'TY/CTN
BACK	1	DHC022-M1001	Back frame set	1	520 x 430 x 420	12	10
	2	DHC015-M2000	Seat sponge	1	520 x 480 x 880	9	20
SEAT	3	DHC015-M2001	Seat	1	520 x 430 x 500	18.9	10
	4	DHC015-M2002	Seat cover	1	585 x 485 x 410	13.9	60
	5	DHC015-M2003	Connector	2	420 x 280 x 300	8.9	600
	6	DHC015-M2004	Noise end cap	2	-	-	600
ARMREST	7	DHC022-M3001	Armrest L	1	515 x 345 x 345	14.2	40
	8	DHC022-M3002	Armrest R	1	515 x 345 x 345	14.2	40
	9	DHC022-M3003	Spring L	1	340 x 340 x 170	22.3	1190
	10	DHC022-M3004	Spring R	1	340 x 340 x 170	22.3	1190
FRAME	11	DHC022-M4010	Pipe frame	1	-	3.15	-
	12	DHG-200C	Castor support	4	420 x 280 x 300	8.8	1000
	13	C-50B	Ø50 castor (black)	4	460 x 290 x 440	28.5	250
OTHER COMPONENTS	-	DHC022-M3011	Arm rest L	1	515 x 345 x 345	13	50
	-	DHC022-M3012	Arm rest R	1	515 x 345 x 345	13	50
	-	DHG-200	Glide (4leg type)	4	420 x 280 x 300	12.5	450
	-	DHC022-M4020	Pipe frame (swivel)	1	-	2.6	-
	-	DHM-035	Folding locking (basic type)	1	600 x 500 x 230	18.5	25
	-	KGL1108-5030A	Gas lift	1	300 x 253 x 105	10.4	10
	-	DHB-200	Injection base	1	660 x 560 x 435	14.8	6

DM1-100

SERIES

The DM1-100 fits in any living space with an understated design. Its simple design and light color makes any space more attractive.





FIXED ROW CONNECTION GLIDE

when arranging chairs in a row, users can fix and connect chairs with a glide.



VERTICAL LOADING

Vertical loading is possible staking frame or multi frame.

ITEM LIST



DM1-100
W530 x D510 x H775



DM1-100P
W530 x D510 x H775
(Seat pad)



DM1-100AP
W530 x D510 x H775
(Backrest, seat pad)



DM1-101
W550 x D500 x H775



DM1-101P
W550 x D500 x H775
(Seat pad)



DM1-101AP
W550 x D500 x H775
(Backrest, seat pad)



DM1-102AP
W462 x D475 x H710~800
(Backrest, seat pad)



DM1-110AP
W630 x D475 x H710~800
(Backrest, seat pad)





DETAILED PARTS

COLOR VARIATION



DM1-100P COMPONENT LIST

CATEGORY	NO.	CODE NO.	DESCRIPTION	Q'TY	Carton Size W×D×H	G.W/Kg	Q'TY/CTN
BACK	1	DHC011-M1001	Shell	1	740 x 490 x 470	23	10
	-	DHC011-M2000	Seat sponge	1	500 x 500 x 1000	6	100
SEAT	2	DHC011-M2001	Seat pad core	1	445 x 400 x 460	22.5	30
	3	DHC011-M2003	Damper	4	600 x 500 x 270	28.4	3000
	-	DHC011-M2004	Damper cap	4	-	-	3000
	4	DHC011-M4010	Pipe frame (Multi type)	1	-	2.2	-
FRAME	5	DHG-1100L	Glide L	2	580 x 480 x 200	17	2000
	6	DHG-1100R	Glide R	2	580 x 480 x 200	17.4	2000
	-	DHC011-M3001	Armrest L	1	470 x 390 x 340	12.9	10
OTHER COMPONENTS	-	DHC011-M3002	Armrest R	1	-	-	10
	-	DHC011-M4020	Pipe frame(4leg type)	1	-	2.7	-
	-	DHG-1110	Glide (4leg type)	4	600 x 500 x 270	17.5	5000
	-	DHM-040	Dm1 injection locking	1	630 x 405 x 420	13.8	10
	-	KGL1108-5030A	Gas lift	1	300 x 253 x 105	10.4	10
	-	DHB-200	Injection base	1	660 x 560 x 435	14.8	6
	-	C-50W	Ø50 castor (white)	5	460 x 290 x 440	28.5	250
	-	C-50B	Ø50 castor (black)	5	460 x 290 x 440	28.5	250

DM1-200

SERIES

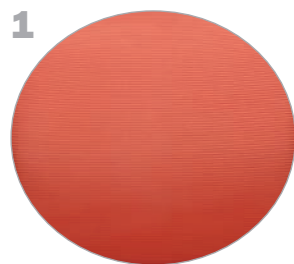
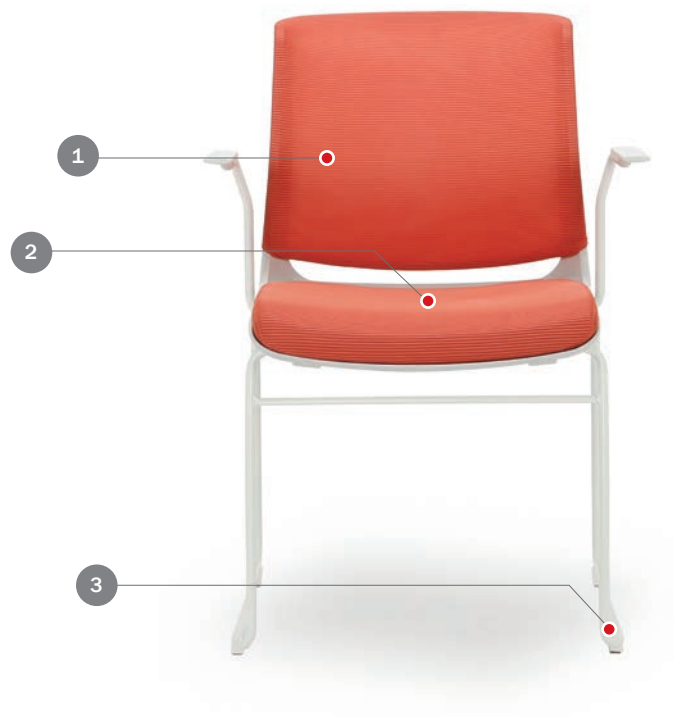
The DM1-200 series with a refined and active design. Its backrest design is based on human curvature and is undeterred by space or place.





VERTICAL LOADING

Vertical loading is possible with or without the armrest



1 MESH BACKREST
The mesh backrest is elastic and permeable, and allows user to sit on the chair consistently



2 PADDING SEAT
The padding seat lessens user fatigue and increases comfort



3 FELT GLIDE
When moves chairs, it minimizes friction between ground and noise

ITEM LIST



DM1-200W
W530 x D560 x H840



DM1-200B
W530 x D560 x H840



DM1-201W
W600 x D560 x H840



DM1-201B
W600 x D560 x H840



DM1-202W
W560 x D540 x H860



DM1-202B
W560 x D540 x H860



DM1-203W
W555 x D550 x H830



DM1-203B
W555 x D550 x H830



DM1-211W
W600 x D560 x H780~870



DM1-211B
W600 x D560 x H780~870



DM1-221W
W610 x D545 x H780~865



DM1-221B
W610 x D545 x H780~865



DM1-231W
W625 x D565 x H775~860



DM1-231B
W625 x D565 x H775~860





DETAILED PARTS

COLOR VARIATION



DM1-201 COMPONENT LIST

CATEGORY	NO.	CODE NO.	DESCRIPTION	Q'TY	Carton Size WxDxH	G.W/Kg	Q'TY/CTN
BACK	1	DHC012-M1001	Shell	1	710 x 490 x 470	13.1	5
	2	DHC012-M1002	Shell bar	1	570 x 550 x 170	16.4	130
SEAT	3	DHC012-M2000	Seat sponge	1	490 x 470 x 970	10.5	30
	4	DHC012-M2001	Seat pad core	1	445 x 350 x 455	16	30
	5	DHC012-M2002	Seat front connector L	1	605 x 515 x 280	17	1000
	6	DHC012-M2003	Seat front connector R	1	605 x 515 x 280	17.8	1000
	7	DHC012-M2004	Seat rear connector L	1	605 x 515 x 280	20	1000
	8	DHC012-M2005	Seat rear connector R	1	605 x 515 x 280	20	1000
ARMREST	9	DHC012-M3001	Armrest L	1	580 x 480 x 190	20	300
	10	DHC012-M3002	Armrest R	1	580 x 480 x 190	20	300
FRAME	11	DHC012-M4020	Pipe frame (with armrest) multi type	1	-	3.3	-
	12	DHG-1200	Glide (multi type)	4	480 x 285 x 285	12.4	1000
	-	DHG-1200F	Glide felt (multi type)	4	480 x 285 x 285	4	2000
OTHER COMPONENTS	-	DHC011-M3001	Armrest L	1	470 x 390 x 340	12.9	10
	-	DHC011-M3002	Armrest R	1	-	-	10
	-	DHC012-M4010	Pipe frame (multi type)	1	-	2.6	-
	-	DHC012-M4030	Pipe frame (4leg type)	1	-	3.3	-
	-	DHG-100	Glide (4leg type)	4	420 x 280 x 300	8.3	1100
	-	DHG-100F	Glide felt (4leg type)	4	-	-	1100
	-	DHC012-M4040	Pipe frame (castor type)	1	-	3.2	-
	-	DHG-100C	Castor support	4	420 x 280 x 300	8.3	1100
	-	DHC012-M4050	Pipe frame (swivel type)- Arm	1	-	3.6	-
	-	DHC012-M4060	Pipe frame (swivel type)	1	-	2.3	-
	-	DHM-015	Steel plate locking	1	450 x 360 x 245	18	10
	-	DHM-035	Folding mechanism (basic)	1	600 x 500 x 230	18.5	25
	-	DHM-035	Folding mechanism (hole type)	1	600 x 500 x 230	18	25
	-	KGL1108-5030A	Gas lift	1	300 x 253 x 105	10.4	10
	-	KGN3108-5030A	Gas lift (stop)	1	300 x 253 x 105	11.8	10
	-	DHB-200	Injection base	1	660 x 560 x 435	14.8	6
	-	C-50W	Ø50 castor (white)	5	460 x 290 x 440	28.5	250
-	C-50WS	Ø50 castor (white) & (stop)	5	460 x 290 x 440	28.5	250	
-	C-50B	Ø50 castor (black)	5	460 x 290 x 440	28.5	250	
-	C-50BS	Ø50 castor (black) & (stop)	5	460 x 290 x 440	28.5	250	

DM1-300

SERIES

The DM1-300 series with a multi-purpose design. Users can use it anywhere, and its various colors allows the user to adapt it to any atmosphere freely.





VERTICAL LOADING

Vertical loading is possible with or without the armrest.

ITEM LIST



DM1-300
W505 x D550 x H780



DM1-301
W530 x D550 x H780



DM1-302
W495 x D565 x H780



DM1-310
W505 x D550 x H780



DM1-311
W530 x D550 x H780



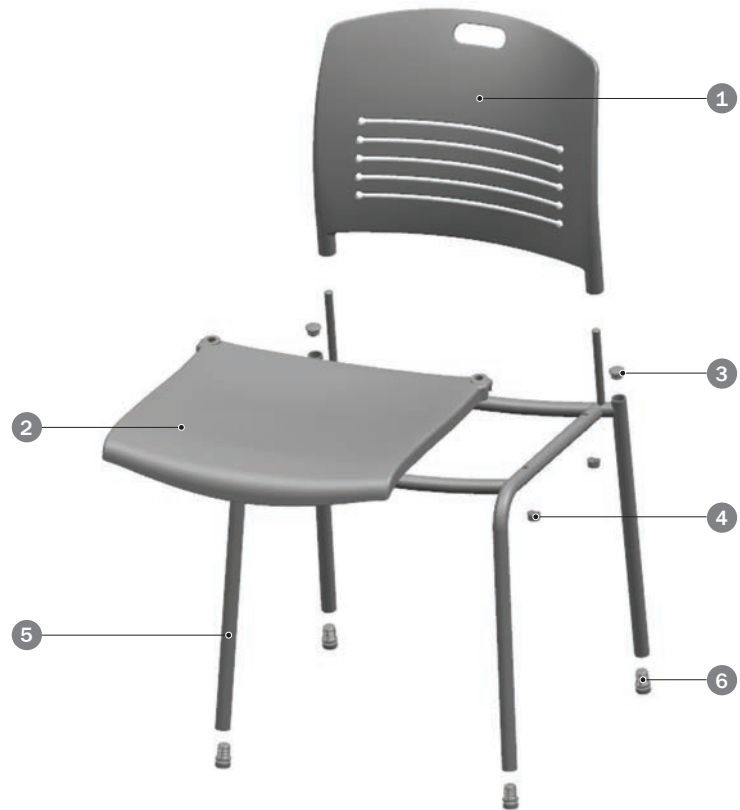
DM1-312
W495 x D565 x H780





DETAILED PARTS

COLOR VARIATION



DM1-300 COMPONENT LIST

CATEGORY	NO.	CODE NO.	DESCRIPTION	Q'TY	Carton Size W×D×H	G.W/Kg	Q'TY/CTN
BACK	1	DHC013-M1001	A type Shell	1	510 x 440 x 410	14	20
SEAT	2	DHC013-M2000	Seat	1	510 x 475 x 465	17.4	20
	3	DHC013-M2001	Pipe end cap (big size)	2	570 x 470 x 235	12.8	5000
FRAME	4	DHC013-M2003	Damper	4	280 x 210 x 300	4.6	2000
	5	DHC013-M4010	Pipe frame (4leg type)	1	-	3	-
	6	DHG-100	Glide	4	420 x 280 x 300	8.3	1100
	-	DHG-100F	Glide felt	4	-	-	1100
OTHER COMPONENTS	-	DHC013-M1002	B type shell	1	510 x 440 x 410	13.6	20
	-	DHC013-M2001	Pipe end cap (small size)	2	580 x 475 x 180	10.5	9000
	-	DHC013-M3001	Armrest cover	2	585 x 470 x 200	22.3	400
	-	DHC013-M4020	Pipe frame (4leg type) with armrest	1	-	3.75	-
	-	DHC013-M4030	Pipe frame (multi type)	1	-	2.75	-
	-	DHG-1300	Glide (multi type)	4	420 x 280 x 300	7	1600

DM1-350

SERIES

The DM1-350 series with a modern design.
The chair has the advantage of both castor and frame.
It moves easily and users can also fix the chair on the ground.
It is designed ergonomically, so users can feel
comfortable even after a long time.





Castor wheel allows user to move the chair smoothly, and the back leg of the chair is able to fix the chair.

ITEM LIST



DM1-350
W545 x D560 x H810



DM1-351
W555 x D530 x H800



DM1-360
W446 x D543 x H799-894



DM1-361
W631 x D543 x H799-894



DM1-362
W555 x D558 x H805-900





DETAILED PARTS

COLOR VARIATION



DM1-350 COMPONENT LIST

CATEGORY	NO.	CODE NO.	DESCRIPTION	Q'TY	Carton Size WxDxH	G.W/Kg	Q'TY/CTN
BACK	1	DHC013-5-M1001	Shell	1	630 x 525 x 605	24.1	10
	2	DHC013-5-M1011	Back bracket L	1	420 x 280 x 300	16	180
	3	DHC013-5-M1012	Back bracket R	1	420 x 280 x 300	16	180
SEAT	4	DHC013-5-M2000	Seat sponge	1	520 x 470 x 800	6.4	15
	5	DHC013-5-M2001	Seat pad core	1	515 x 330 x 465	13.7	20
ARMREST	6	DHC013-5-M3001	Armrest	2	510 x 430 x 360	14.5	270
FRAME	7	DHC013-5-M4020	Pipe frame (4leg type)	1	-	3.2	-
	8	DHG-350	Glide (4leg type)	2	420 x 280 x 300	12.5	450
	9	DHG-200C	Castor support	2	420 x 280 x 300	8.8	1000
	10	C-50B	Ø50 castor (black)	4	460 x 290 x 440	28.5	250
OTHER COMPONENTS	-	DHC013-5-M1002	Body cap L	1	420 x 280 x 300	6.8	400
	-	DHC013-5-M1003	Body cap R	1	420 x 280 x 300	6.8	400
	-	DHC011-M3001	Armrest L	1	470 x 390 x 340	12.9	10
	-	DHC011-M3002	Armrest R	1	-	-	10
	-	DHC013-5-M4010	Pipe frame (multi type)	1	-	2.9	-
	-	DHC013-5-M4030	Swivel frame (without armrest)	1	-	1.4	-
	-	DHC013-5-M4040	Swivel frame (with armrest)	1	-	3.1	-
	-	DHG-1300	Glide (multi type)	4	420 x 280 x 300	7	1600
	-	DHM-035	Folding locking (basic)	1	600 x 500 x 230	18.5	25
	-	DHM-040	Dm1 injection locking	1	630 x 405 x 420	13.8	10
	-	KGL1108-5030A	Gas lift	1	300 x 253 x 105	10.4	10
	-	DHB-200	Injection base	1	660 x 560 x 435	14.8	6
-	C-50W	Ø50 castor (white)	5	460 x 290 x 440	28.5	250	

DM1-400

SERIES

Ergonomically design provides comfort and is available in a wide range of colors. The light color makes the atmosphere of meetings more animated.





1

FOLDING

Stand the chair upright vertically, then push it to fold the chairs.



2

HORIZONTAL LOADING

Stand the chair upright vertically, then push it smoothly. It also makes better use of space.



3

VERTICAL LOADING

Vertical loading is possible with or without the armrest.



4

SEAT PAD

When the pad is on the seat, users feel comfortable for a longer period of time.

ITEM LIST



DM1-400
W525 x D520 x H795



DM1-410
W515 x D510 x H795



DM1-420
W530 x D505 x H785



DM1-430
W455 x D545 x H720~810



DM1-431
W560 x D545 x H720~810





DETAILED PARTS

COLOR VARIATION



DM1-420 COMPONENT LIST

CATEGORY	NO.	CODE NO.	DESCRIPTION	Q'TY	Carton Size WxDxH	G.W/Kg	Q'TY/CTN
BACK	1	DHC014-M1001	Backrest	1	530 x 460 x 325	17.1	20
	-	DHC014-M2000	Seat sponge	1	500 x 500 x 1000	6	100
SEAT	2	DHC014-M2001	Seat	1	540 x 455 x 430	17	15
	3	DHC014-M2002	Seat pad core	1	535 x 445 x 410	17.6	40
	4	DHC014-M2003	Seat bracket	2	670 x 455 x 360	39	1500
	5	DHC014-M4020	Pipe frame (folding type)	1	-	2.4	-
FRAME	6	DHG-200C	Castor support	4	420 x 280 x 300	8.8	1000
	7	C-50B	Ø50 castor (black)	4	460 x 290 x 440	28.5	250
	-	DHC014-M3001	Armrest L	1	560 x 540 x 220	13.5	30
OTHER COMPONENTS	-	DHC014-M3002	Armrest R	1	-	-	30
	-	DHC014-M4010	Pipe frame (4leg type)	1	-	3.0	-
	-	DHG-400	Glide (4leg type)	4	410 x 270 x 280	12.7	350
	-	DHC014-M4030	Pipe frame (swivel type)	1	-	0.95	-
	-	KGL1108-5030A	Gas lift	1	300 x 253 x 105	10.4	10
	-	DHB-200	Injection base	1	660 x 560 x 435	14.8	6

DM1-500

SERIES

Its folding function and horizontal loading makes better use of any spaces, such as a conference room, seminar room or classroom. Users can use it anywhere. Its design emphasis is on simple curve and clear lines.





HORIZONTAL LOADING

Stand the chair upright vertically, then push it smoothly. It also makes better use of space.



A restrained curve line forms a simple design.



Its seat folding function has high space efficiency and it allows use in various venues.



Rectilinear line of back leg redounds to simple design.

ITEM LIST



DM1-500
W592 x D560 x H815



DM1-500G
W592 x D560 x H815
(FixedGlide)



DM1-500P
W592 x D560 x H820
(Pad)



DM1-500PG
W592 x D560 x H820
(Fixed type Glide)



DM1-510
W560 x D590 x H820~915



DM1-510P
W560 x D590 x H825~920



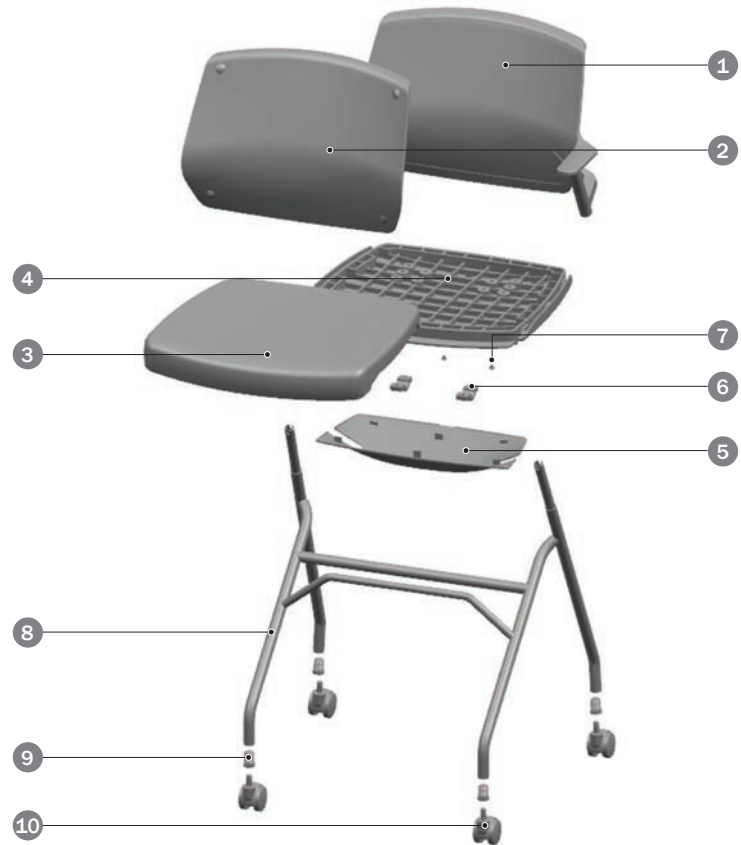


DETAILED PARTS

COLOR VARIATION



BK



DM1-500P COMPONENT LIST

CATEGORY	NO.	CODE NO.	DESCRIPTION	Q'TY	Carton Size W×D×H	G.W/Kg	Q'TY/CTN
BACK	1	DHC015-M1001	Backrest	1	580 x 510 x 400	9.2	5
	2	DHC015-M1002	Back pad	1	410 x 320 x 455	15	30
SEAT	3	DHC015-M2000	Seat sponge	1	520 x 480 x 880	9	20
	4	DHC015-M2001	Seat	1	520 x 430 x 500	18.9	10
	5	DHC015-M2002	Seat cover	1	585 x 485 x 410	13.9	60
	6	DHC015-M2003	Connector	2	420 x 280 x 300	8.9	600
	7	DHC015-M2004	Noise end cap	2	-	-	600
FRAME	8	DHC015-M4010	Pipe frame	1	-	2.8	-
	9	DHG-100C	Castor support	4	420 x 280 x 300	8.3	1100
	10	C-50B	Ø50 castor (black)	4	460 x 290 x 440	28.5	250
OTHER COMPONENTS	-	DHC015-M4020	Pipe frame (swivel type)	1	-	2.35	-
	-	DHG-400	Glide (4leg type)	4	410 x 270 x 280	12.7	350
	-	DHM-035	Folding locking (hole type)	1	600 x 500 x 230	18	25
	-	KGL1108-5030A	Gas lift	1	300 x 253 x 105	10.4	10
	-	DHB-200	Injection base	1	660 x 560 x 435	14.8	6

CHAIR COMPONENTS

Introduction

FOUNDATION-1995.06
NUMBER OF EMPLOYEES-60

Mechanism



Armrest

Base



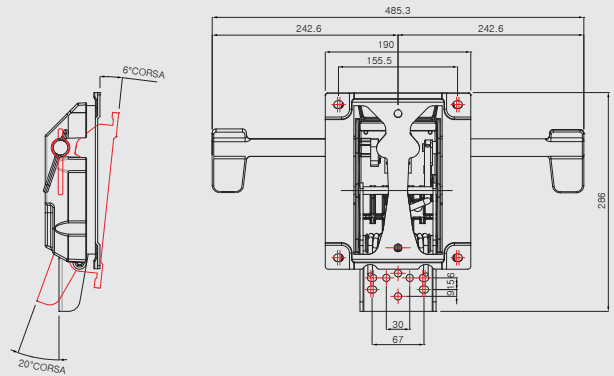
Frame



DHM-1420

New Pron - III

뉴프론 - III



■ Tilting tension is controlled automatically by user's weight.

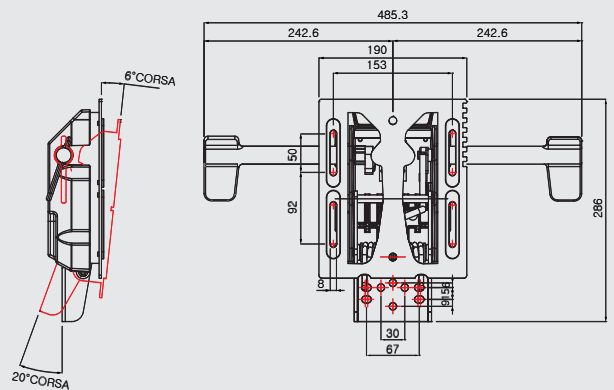
- Tilting tension is controlled by one's weight.
- Backrest & seat synchronizing.
- Backrest 4 different locking positions.
- Backrest shock-protection system.
- Height adjustment by gaslift.
- Main body in die-cast aluminium alloy.

- 체중 연동형 틸팅
- 등판과 좌판 싱크론 기능
- 등판 4단 조절 락킹
- 등판 충격 방지 시스템
- 가스 중심봉 높낮이 조절
- 다이캐스트 알루미늄합금 본체

DHM-1430

New Pron - III (SLIDE)

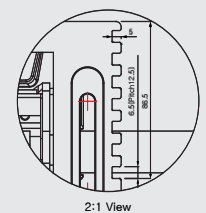
뉴프론 - III (SLIDE)



■ Tilting tension is controlled automatically by user's weight.

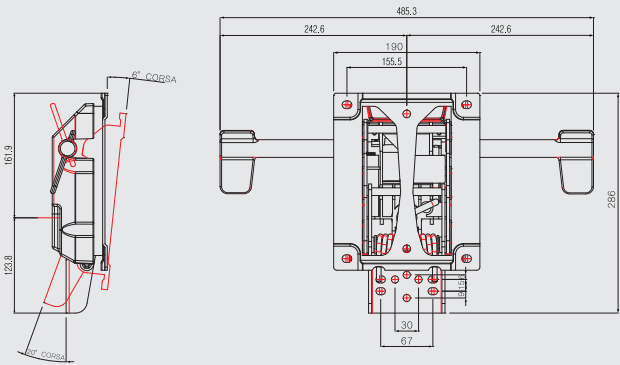
- Tilting tension is controlled by one's weight.
- Backrest & seat synchronizing.
- Backrest 4 different locking positions.
- Backrest shock-protection system.
- Height adjustment by gaslift.
- Adjustable seat depth.
(※ this function is only for own seat)
- Main body in die-cast aluminium alloy.

- 체중 연동형 틸팅
- 등판과 좌판 싱크론 기능
- 등판 4단 조절 락킹
- 등판 충격 방지 시스템
- 가스 중심봉 높낮이 조절
- 좌판 깊이 조절 기능
(※ 전용 좌판 사용 시)
- 다이캐스트 알루미늄합금 본체



MECHANISM

DHM-1400 New Pron - II 뉴프론 - II

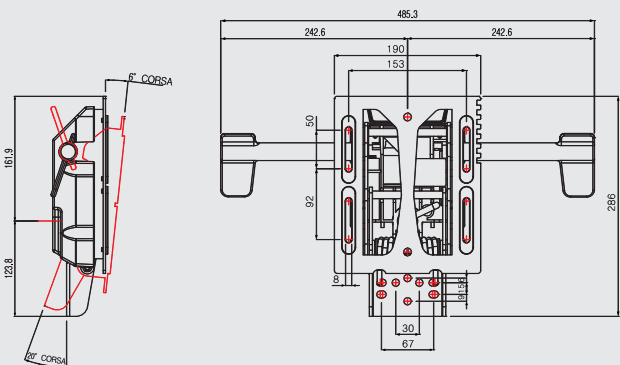


■ Tilting tension is controlled automatically by user's weight.

- Tilting tension is controlled by one's weight.
- Backrest & seat synchronizing.
- Limit 9 position adjustment.
- Height adjustment by gaslift.
- Main body in die-cast aluminium alloy.

- 체중 연동형 톨팅
- 좌판과 등판 싱크론 기능
- 리미트 9단 위치 조절 장치
- 가스 중심봉 높낮이 조절
- 다이캐스트 알루미늄합금 본체

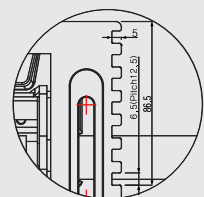
DHM-1410 New Pron - II (SLIDE) 뉴프론 - II (SLIDE)



■ Tilting tension is controlled automatically by user's weight.

- Tilting tension is controlled by one's weight.
- Backrest & seat synchronizing.
- Limit 9 position adjustment.
- Height adjustment by gaslift.
- Adjustable seat depth,
(※ this function is only for own seat)
- Main body in die-cast aluminium alloy.

- 체중 연동형 톨팅
- 좌판과 등판 싱크론 기능
- 리미트 9단 위치 조절 장치
- 가스 중심봉 높낮이 조절
- 좌판 깊이 조절 기능
(※ 전용 좌판 사용 시)
- 다이캐스트 알루미늄합금 본체

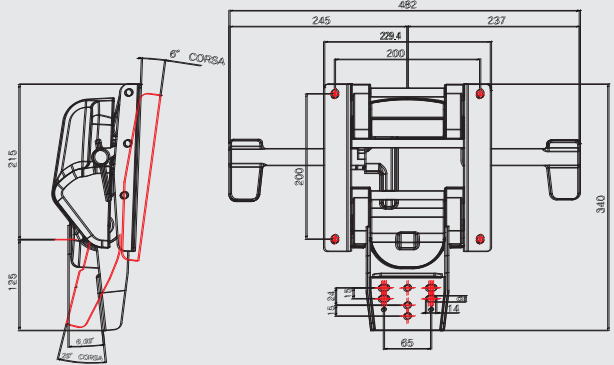




DHM-1310

EASY - II

이지 - II



■ Tilting tension is controlled automatically by user's weight.

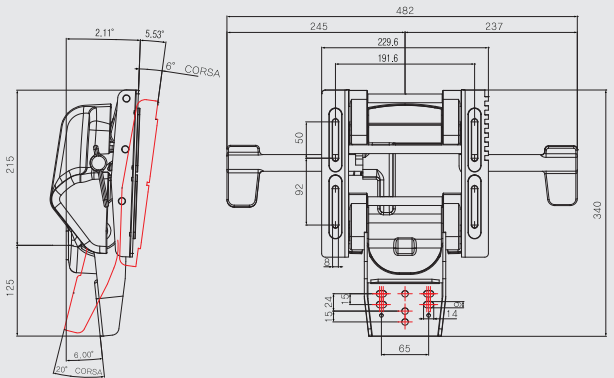
- Tilting tension is controlled by one's weight.
- Backrest & seat synchronizing.
- Limit 4 position adjustment.
- Height adjustment by gaslift.
- Main body in die-cast aluminium alloy.

- 체중 연동형 틸팅
- 좌판과 등판 싱크론 기능
- 리미트 4단 위치 조절 장치
- 가스 중심봉 높낮이 조절
- 다이캐스트 알루미늄합금 본체

DHM-1320

EASY - II (SLIDE)

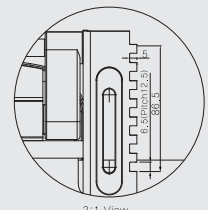
이지 - II (SLIDE)



■ Tilting tension is controlled automatically by user's weight.

- Tilting tension is controlled by one's weight.
- Backrest & seat synchronizing.
- Limit 4 position adjustment.
- Height adjustment by gaslift.
- Adjustable seat depth.
(※ this function is only for own seat)
- Main body in die-cast aluminium alloy.

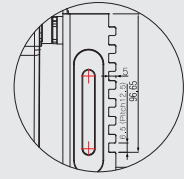
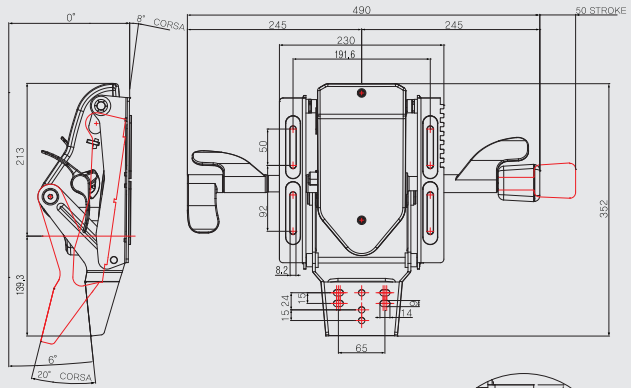
- 체중 연동형 틸팅
- 좌판과 등판 싱크론 기능
- 리미트 4단 위치 조절 장치
- 가스 중심봉 높낮이 조절
- 좌판 깊이 조절 기능
(※ 전용 좌판 사용 시)
- 다이캐스트 알루미늄합금 본체



2:1 View

MECHANISM

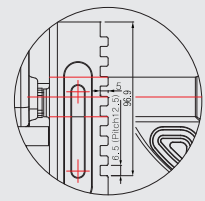
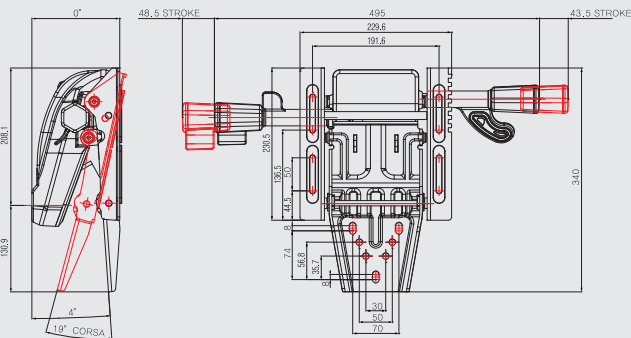
DHM-1210 REX - II (SLIDE) 렉스 - II (SLIDE)



- Backrest & seat synchronizing.
- Backrest 4 different locking positions.
- Backrest shock-protection system.
- Backrest tilting tension adjustment.
- Height adjustment by gaslift.
- Limit 3 position adjustment.
- Seat slide function while tilting.
- Adjustable seat depth.(※this function is only for own seat)
- Main body in die-cast aluminium alloy.

- 좌판과 등판 싱크론기능
- 등판 4단 조절 렉킹
- 등판 충격 방지 시스템
- 등판 틸팅 강도 조절
- 가스중심봉 높낮이 조절
- 리미트 3단 위치조절 장치
- 틸팅 시 좌판 슬라이드 기능
- 좌판 깊이 조절 기능 (※전용 좌판 사용 시)
- 다이캐스트 알루미늄합금 본체

DHM-230 Synchron - II (SLIDE) 싱크론 - II (SLIDE)

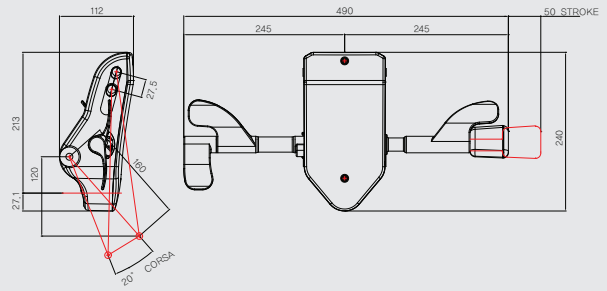


- Main body in die-cast aluminium alloy.
- Backrest 4 different locking positions.
- Backrest shock-protection system.
- Backrest tilting tension adjustment.
- Height adjustment by gaslift.
- Tilting adjustment lever is on the side.
- Limit 3 position adjustment.
- Adjustable seat depth.(※this function is only for own seat)

- 다이캐스트 알루미늄합금 본체
- 등판 4단 조절 렉킹
- 등판 충격 방지 시스템
- 등판 틸팅 강도 조절
- 가스중심봉 높낮이 조절
- 틸팅 조절 손잡이 옆면에 위치
- 리미트 3단 위치조절 장치
- 좌판 깊이 조절 기능 (※전용 좌판 사용 시)



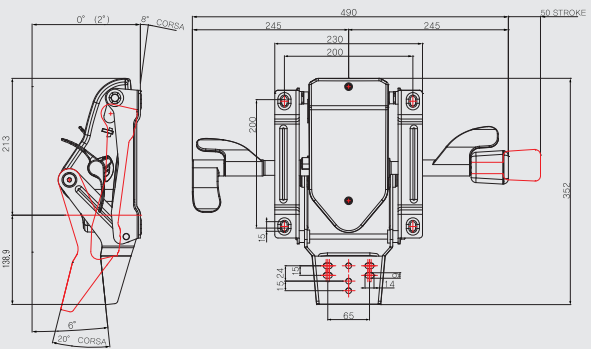
DHM-1100 REX - I 렉스 - I



- Backrest, seat and back-frame synchronizing.
- Backrest 4 different locking positions.
- Backrest shock-protection system.
- Backrest tilting tension adjustment.
- Height adjustment by gaslift.
- Limit 3 position adjustment.
- Seat slide function while tilting.
- Main body in die-cast aluminium alloy.

- 좌판과 등판, 등후레임의 싱크론기능
- 등판 4단 조절 렉킹
- 등판 충격 방지 시스템
- 등판 틸팅 강도 조절
- 가스중심봉 높낮이 조절
- 리미트 3단 위치조절 장치
- 틸팅 시 좌판 슬라이드 기능
- 다이캐스트 알루미늄합금 본체

DHM-1200 REX - II 렉스 - II



- Backrest & seat synchronizing.
- Backrest 4 different locking positions.
- Backrest shock-protection system.
- Backrest tilting tension adjustment.
- Height adjustment by gaslift.
- Limit 3 position adjustment.
- Seat slide function while tilting.
- Main body in die-cast aluminium alloy.

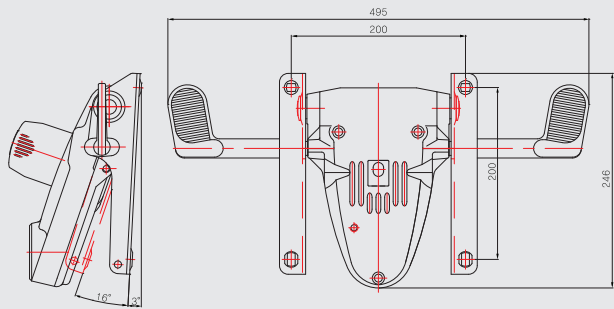
- 좌판과 등판 싱크론기능
- 등판 4단 조절 렉킹
- 등판 충격 방지 시스템
- 등판 틸팅 강도 조절
- 가스중심봉 높낮이 조절
- 리미트 3단 위치조절 장치
- 틸팅 시 좌판 슬라이드 기능
- 다이캐스트 알루미늄합금 본체

MECHANISM

DHM-100 Multi Block - I 멀티블락 - I



- Main body in die-cast aluminium alloy.
- Backrest 6 different locking positions.
- Backrest shock-protection system.
- Backrest tilting tension adjustment.
- Height adjustment by gaslift.

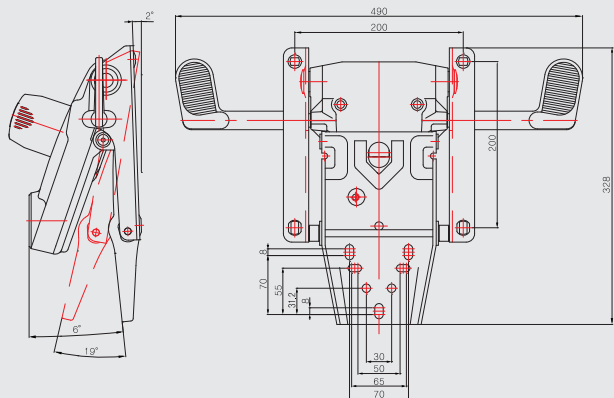


- 다이캐스트 알루미늄합금 본체
- 등판 6단 조절 렉킹
- 등판 충격 방지 시스템
- 등판 틸팅 강도 조절
- 가스중심봉 높낮이 조절

DHM-200 Synchron - I 싱크론 - I



- Backrest & seat synchronizing.
- Main body in die-cast aluminium alloy.
- Backrest 5 different locking positions.
- Backrest shock-protection system.
- Backrest tilting tension adjustment.
- Height adjustment by gaslift.



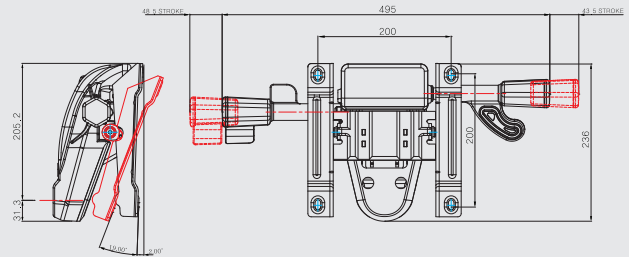
- 좌판과 등판 싱크론 기능
- 다이캐스트 알루미늄합금 본체
- 등판 5단 조절 렉킹
- 등판 충격방지 시스템
- 등판 틸팅 강도 조절
- 가스중심봉 높낮이 조절



DHM-110

Multi Block - II

멀티 - II



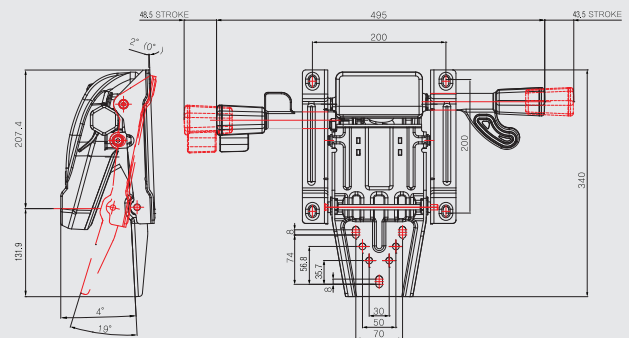
- Main body in die-cast aluminium alloy.
- Backrest 4 different locking positions.
- Backrest shock-protection system.
- Backrest tilting tension adjustment.
- Height adjustment by gaslift.
- Tilting adjustment lever is on the side.
- Limit 3 position adjustment.

- 다이캐스트 알루미늄합금 본체
- 등판 4단 조절 렉킹
- 등판 충격 방지 시스템
- 등판 틸팅 강도 조절
- 가스 중심봉 높낮이 조절
- 틸팅 조절 손잡이 옆면에 위치
- 리미트 3단 위치 조절 장치

DHM-210

Synchron - II

싱크론 - II



- Main body in die-cast aluminium alloy.
- Backrest 4 different locking positions.
- Backrest shock-protection system.
- Backrest tilting tension adjustment.
- Height adjustment by gaslift.
- Tilting adjustment lever is on the side.
- Limit 3 position adjustment.

- 다이캐스트 알루미늄합금 본체
- 등판 4단 조절 렉킹
- 등판 충격 방지 시스템
- 등판 틸팅 강도 조절
- 가스 중심봉 높낮이 조절
- 틸팅 조절 손잡이 옆면에 위치
- 리미트 3단 위치 조절 장치

MECHANISM

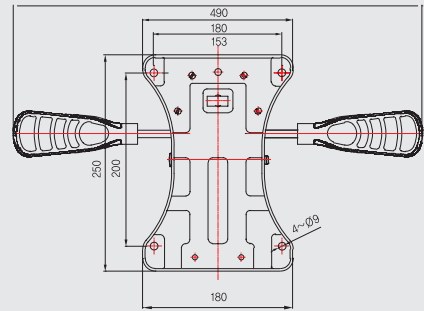
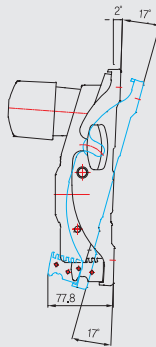
DHM-120

New Multi Block

뉴멀티블락



- Main body in die-cast aluminium alloy.
- Backrest 5 different locking positions.
- Backrest shock-protection system.
- Backrest tilting tension adjustment.
- Height adjustment by gaslift.
- Tilting & height adjustment-levers function up & down.



- 다이캐스트 알루미늄합금 본체
- 등판 5단 조절 렉킹
- 등판 충격 방지 시스템
- 등판 틸팅 강도 조절
- 가스중심봉 높낮이 조절
- 좌,우 레버가 상하 작동으로 편리

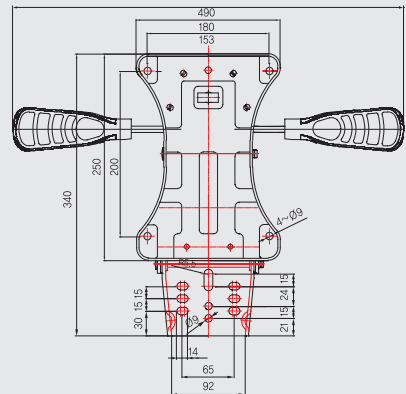
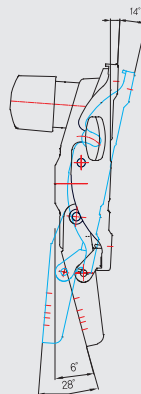
DHM-250

Titan

타이탄



- Backrest & seat synchronizing.
- Main body in die-cast aluminium alloy.
- Backrest 4 different locking positions.
- Backrest shock-protection system.
- Backrest tilting tension adjustment.
- Height adjustment by gaslift.
- Tilting & height adjustment-levers function up & down.



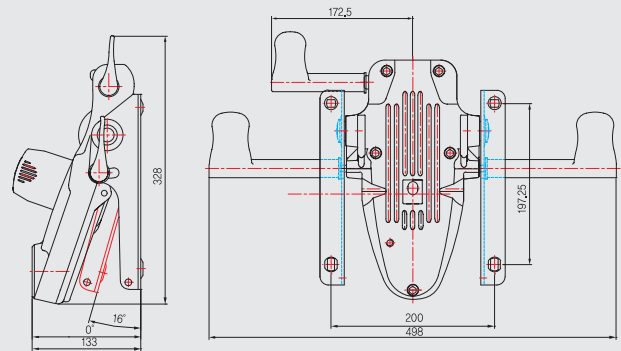
- 등판과 좌판 싱크론 기능
- 다이캐스트 알루미늄합금 본체
- 등판 4단 조절 렉킹
- 등판 충격 방지 시스템
- 등판 틸팅 강도 조절
- 가스중심봉 높낮이 조절
- 좌,우 레버가 상하 작동으로 편리



DHM-130

Limit Multi

리미트 멀티



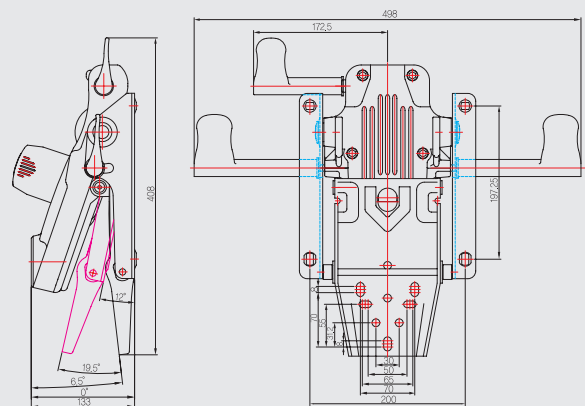
- Main body in die-cast aluminium alloy.
- Backrest 6 different locking positions.
- Backrest shock-protection system.
- Backrest tilting tension adjustment.
- Height adjustment by gaslift.
- Limit 5 position adjustment.

- 다이캐스트 알루미늄합금 본체
- 등판 6단 조절 렉킹
- 등판 충격방지 시스템
- 등판 틸팅강도 조절
- 가스중심봉 높낮이 조절
- 리미트 5단 위치 조절 장치

DHM-220

Limit Synchron

리미트 싱크론

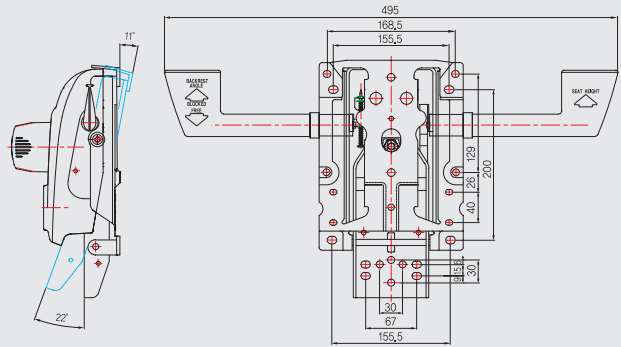


- Backrest & seat synchronizing.
- Main body in die-cast aluminium alloy.
- Backrest 5 different locking positions.
- Backrest shock-protection system.
- Backrest tilting tension adjustment.
- Height adjustment by gaslift.
- Limit 4 position adjustment.

- 등판과 좌판 싱크론 기능
- 다이캐스트 알루미늄합금 본체
- 등판 5단 조절 렉킹
- 등판 충격방지 시스템
- 등판 틸팅강도 조절
- 가스중심봉 높낮이 조절
- 리미트 4단 위치 조절 장치

MECHANISM

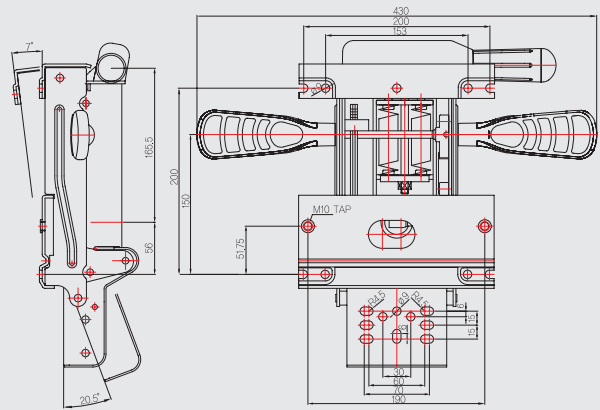
DHM-300 Pron 프론



- Backrest & seat synchronizing.
- Main body in die-cast aluminium alloy.
- Backrest 5 different locking positions.
- Backrest shock-protection system.
- Backrest tilting tension adjustment.
- Height adjustment by gaslift.

- 등판과 좌판 싱크론 기능
- 다이캐스트 알루미늄합금 본체
- 등판 5단 조절 렉킹
- 등판 충격 방지 시스템
- 등판 틸팅 강도 조절
- 가스중심봉 높낮이 조절

DHM-350 New Pron 뉴프론



- Backrest & seat synchronizing.
- Tilting tension adjustment-lever is a side.
- Backrest 4 different locking positions.
- Backrest shock-protection system.
- Backrest tilting tension adjustment.
- Height adjustment by gaslift.

- 등판과 좌판 싱크론 기능
- 틸팅 조절 손잡이 옆면에 위치
- 등판 4단 조절 렉킹
- 등판 충격 방지 시스템
- 등판 틸팅 강도 조절
- 가스중심봉 높낮이 조절



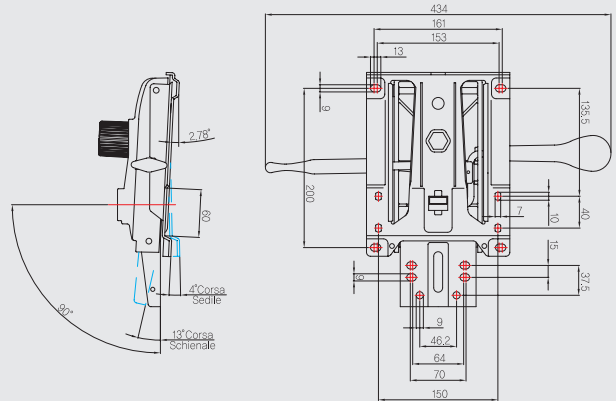
DHM-400

Ribero - I

리베로 - I



- Backrest & seat synchronizing.
- Main body in die-cast aluminium alloy.
- Backrest 4 different locking positions.
- Backrest shock-protection system.
- Backrest tilting tension adjustment.
- Height adjustment by gaslift.



- 등판과 좌판 싱크론 기능
- 다이캐스트 알루미늄합금 본체
- 등판 4단 조절 렉킹
- 등판 충격 방지 시스템
- 등판 틸팅 강도 조절
- 가스중심봉 높낮이 조절

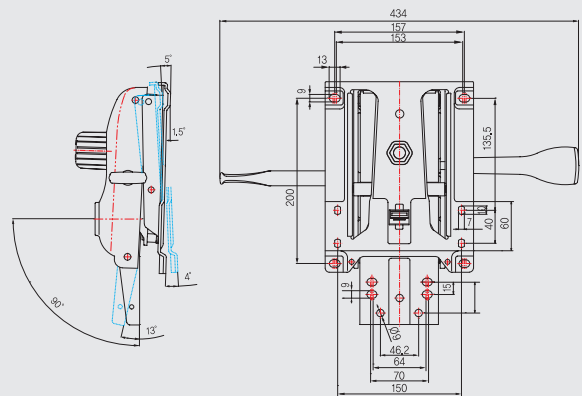
DHM-450

Ribero - II

리베로 - II



- Backrest & seat synchronizing.
- Seat tilts forward in 5 degrees.
- Main body in die-cast aluminium alloy.
- Backrest 4 different locking positions.
- Backrest shock-protection system.
- Backrest tilting tension adjustment.
- Height adjustment by gaslift.



- 등판과 좌판 싱크론 기능
- 좌판 전방 5도 틸팅 기능
- 다이캐스트 알루미늄합금 본체
- 등판 4단 조절 렉킹
- 등판 충격 방지 시스템
- 등판 틸팅 강도 조절
- 가스중심봉 높낮이 조절

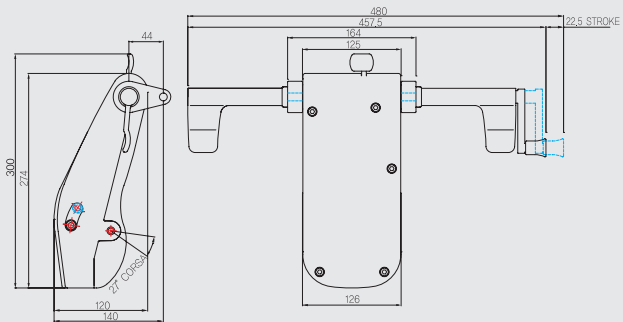
MECHANISM

DHM-800 Dynamic - I 다이내믹 - I



Limit Lever

- Backrest, seat and back-frame synchronizing.
- Main body in die-cast aluminium alloy.
- Backrest 4 different locking positions.
- Backrest shock-protection system.
- Backrest tilting tension adjustment.
- Height adjustment by gaslift.
- Limit 3 position adjustment.
- Tilting adjustment lever is on the side.



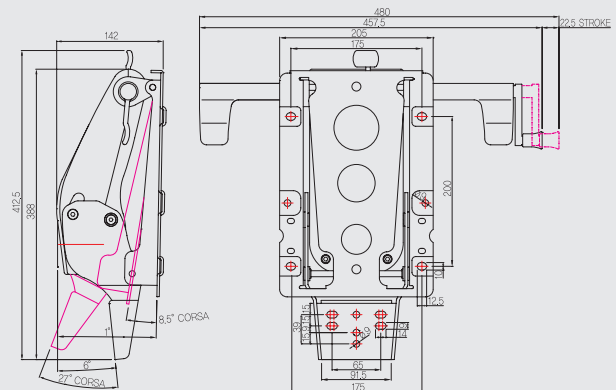
- 등판과 좌판, 등후레임의 싱크론 기능
- 다이캐스트 알루미늄합금 본체
- 등판 4단 조절 렉킹
- 등판 충격 방지 시스템
- 등판 틸팅 강도 조절
- 가스중심봉 높낮이 조절
- 리미트 3단 위치 조절 장치
- 틸팅조절 손잡이 옆면에 위치

DHM-810 Dynamic - II 다이내믹 - II



Limit Lever

- Backrest, seat synchronizing.
- Main body in die-cast aluminium alloy.
- Backrest 4 different locking positions.
- Backrest shock-protection system.
- Backrest tilting tension adjustment.
- Height adjustment by gaslift.
- Limit 3 position adjustment.
- Tilting adjustment lever is on the side.



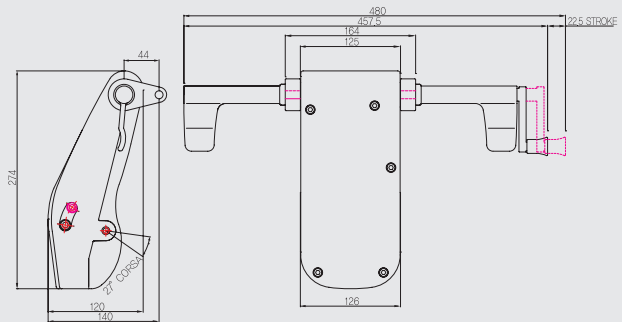
- 등판과 좌판 싱크론 기능
- 다이캐스트 알루미늄합금 본체
- 등판 4단 조절 렉킹
- 등판 충격 방지 시스템
- 등판 틸팅 강도 조절
- 가스중심봉 높낮이 조절
- 리미트 3단 위치 조절 장치
- 틸팅조절 손잡이 옆면에 위치



DHM-820

Limit Dynamic - I

리미트 다이내믹 - I



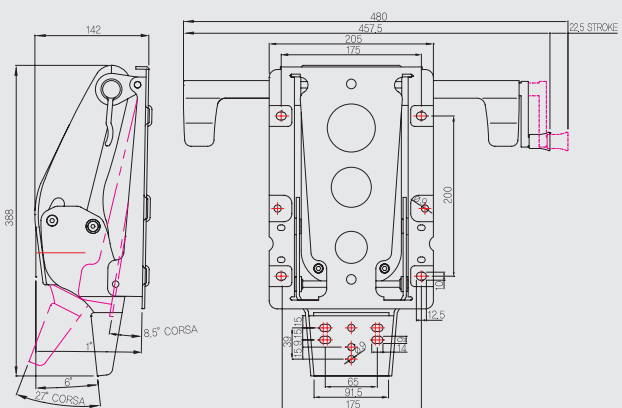
- Backrest, seat and back-frame synchronizing.
- Main body in die-cast aluminium alloy.
- Limit 4 position adjustment.
- Backrest tilting tension adjustment.
- Height adjustment by gaslift.
- Tilting adjustment lever is on the side.

- 등판과 좌판, 등후레임의 싱크론 기능
- 다이캐스트 알루미늄합금 본체
- 리미트 4단 위치 조절 장치
- 등판 틸팅 강도 조절
- 가스중심봉 높낮이 조절
- 틸팅조절 손잡이 옆면에 위치

DHM-830

Limit Dynamic - II

리미트 다이내믹 - II



- Backrest, seat synchronizing.
- Main body in die-cast aluminium alloy.
- Limit 4 position adjustment.
- Backrest tilting tension adjustment.
- Height adjustment by gaslift.
- Tilting adjustment lever is on the side.

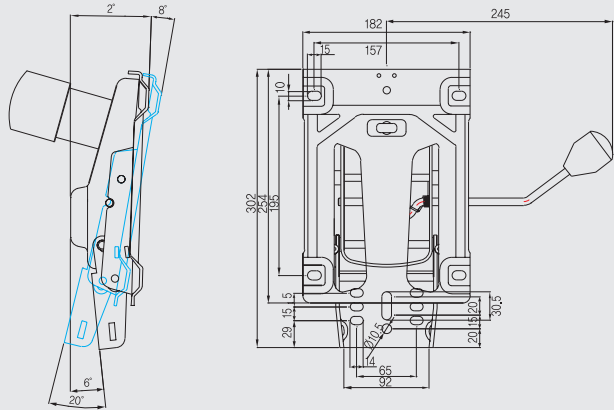
- 등판과 좌판, 등후레임의 싱크론 기능
- 다이캐스트 알루미늄합금 본체
- 리미트 4단 위치 조절 장치
- 등판 틸팅 강도 조절
- 가스중심봉 높낮이 조절
- 틸팅조절 손잡이 옆면에 위치

MECHANISM

DHM-600 Air Locking - I 에어러킹(실린더형) - I



- Backrest & seat synchronizing.
- Backrest 1 different locking positions.
- Backrest tilting tension adjustment.
- Height adjustment by gaslift.

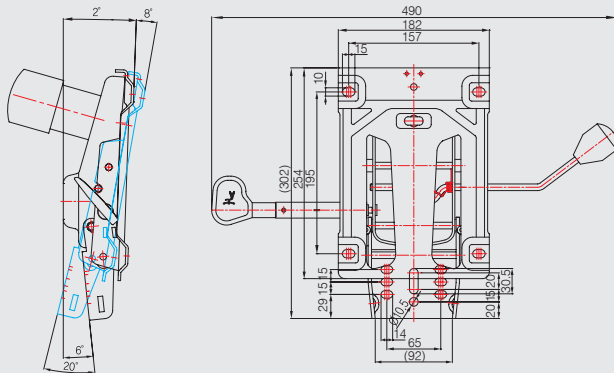


- 등판과 좌판 싱크론 기능
- 등판 1단 조절 러킹
- 등판 틸팅 강도 조절
- 가스 중심봉 높낮이 조절

DHM-650 Air Locking - II 에어러킹(스톱바형) - II



- Backrest & seat synchronizing.
- Backrest 2 different locking positions.
- Backrest tilting tension adjustment.
- Height adjustment by gaslift.



- 등판과 좌판 싱크론 기능
- 등판 2단 조절 러킹
- 등판 틸팅 강도 조절
- 가스 중심봉 높낮이 조절



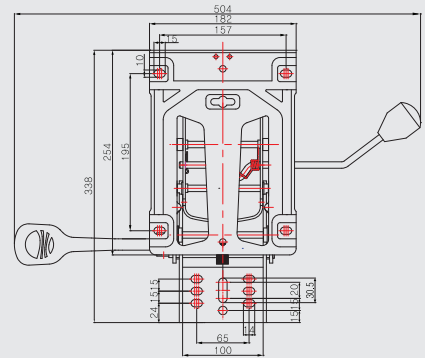
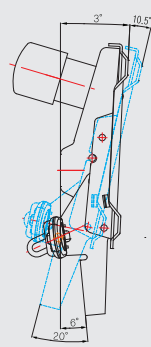
DHM-660

Air Locking - III

에어락킹 - III



- Backrest & seat synchronizing.
- Backrest tilting tension adjustment.
- Backrest positioned at any position.(free position locking)
- Height adjustment by gaslift.
- Applied to back frame of 90mm and 65mm



- 등판과 좌판 싱크론 기능
- 등판 틸팅 강도 조절
- 등판 무한위치 고정기능(자유 위치 락킹)
- 가스 중심봉 높낮이 조절
- 등후레임 90mm 및 65mm 규격에 적용

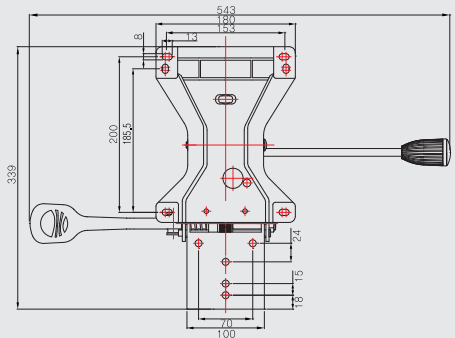
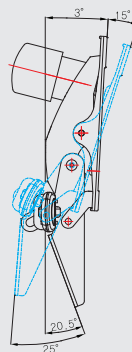
DHM-018

Butterfly Locking - II

나비락킹 - II



- Backrest & seat synchronizing.
- Main body in die-cast aluminium alloy.
- Backrest tilting tension adjustment.
- Height adjustment by gaslift.
- Backrest positioned at any position.(free position locking)
- Applied to back frame of 90mm and 65mm



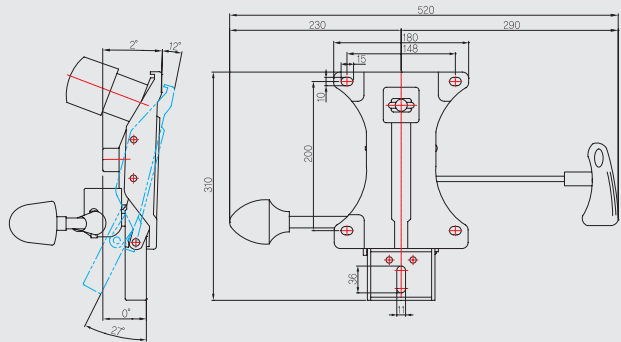
- 등판과 좌판 싱크론 기능
- 다이캐스트 알루미늄합금 본체
- 등판 틸팅 강도 조절
- 가스 중심봉 높낮이 조절
- 등판 무한위치 고정기능(자유 위치 락킹)
- 등후레임 90mm 및 65mm 규격에 적용

MECHANISM

DHM-700 Kobra Locking 코브라 락킹



- Backrest & seat synchronizing.
- Backrest tilting tension adjustment.
- Backrest positioned at any position. (free position locking)
- Height adjustment by gaslift.

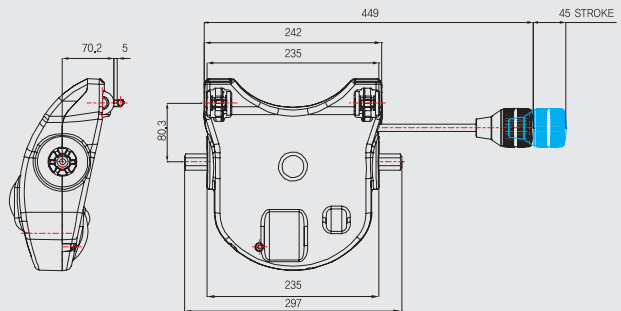


- 등판과 좌판 싱크론 기능
- 등판 틸팅강도 조절
- 등판 무한위치 고정기능(자유 위치 락킹)
- 가스 중심봉 높낮이 조절

DHM-1000 Aries 에리스



- Main body in die-cast aluminium alloy.
- Backrest 6 different locking positions.
- Limit 5 position adjustment.
- Backrest and seat tilting 3 position adjustment.
- Backrest tilting tension adjustment.
- Height adjustment by gaslift.
- Tilting adjustment lever is on the side.



- 다이캐스트 알루미늄 합금 본체
- 등판 6단 조절 락킹
- 리미트 5단 위치 조절 장치
- 등판, 좌판의 틸팅각도 3단 위치 조절
- 등판 틸팅 강도 조절
- 가스중심봉 높낮이 조절
- 틸팅조절 손잡이 옆면에 위치



DHM-001 Sky 스카이 후레임실린더



- Stopping lever can be equipped. ■ 스톱바 기능(수동스톱바, 자동스톱바)
- Height adjustment by gaslift. ■ 가스중심봉 높낮이 조절

DHM-002 Toto 토토 후레임실린더



- Height adjustment by gaslift.
- 가스중심봉 높낮이 조절

DHM-003 Ariana 아리아나 후레임실린더



- Stopping lever can be equipped. ■ 스톱바 기능(수동스톱바, 자동스톱바)
- Height adjustment by gaslift. ■ 가스중심봉 높낮이 조절

DHM-004 Delta 델타 후레임실린더



- Height adjustment by gaslift.
- 가스중심봉 높낮이 조절

DHM-005 Bigstar 빅스타 후레임실린더



- Height adjustment by gaslift.
- 가스중심봉 높낮이 조절

DHM-006 Magic 매직 후레임실린더



- Height adjustment by gaslift.
- 가스중심봉 높낮이 조절

MECHANISM

DHM-007 Active 액티브 후레임실린더



- Height adjustment by gaslift.
- 가스중심봉 높낮이 조절

DHM-008 Mas 마스크 후레임실린더



- Stopping lever can be equipped.
- 스톱바 가능(수동스톱바, 자동스톱바)
- Height adjustment by gaslift.
- 가스중심봉 높낮이 조절

DHM-009 Capri 카프리 후레임실린더



- Stopping lever can be equipped.
- 스톱바 가능(수동스톱바, 자동스톱바)
- Height adjustment by gaslift.
- 가스중심봉 높낮이 조절

DHM-010 Health Mesh(65) 헬스메쉬(65)수동스톱



- Manual stopping.
- 수동스톱바 가능
- Height adjustment by gaslift.
- 가스중심봉 높낮이 조절

DHM-011 Health Mesh(65) 헬스메쉬(65)자동스톱



- Automatic stopping.
- 자동스톱바 가능
- Height adjustment by gaslift.
- 가스중심봉 높낮이 조절

DHM-012 Health Mesh(90) 헬스메쉬(90)수동스톱



- Manual stopping.
- 수동스톱바 가능
- Height adjustment by gaslift.
- 가스중심봉 높낮이 조절



DHM-013 Health Mesh(90) 헬스메쉬(90)자동스톱



- Automatic stopping.
- 자동스톱바 가능
- Height adjustment by gaslift.
- 가스중심봉 높낮이 조절

DHM-014 Kicker TinTin 키퍼틴틴



- Height adjustment by gaslift.
- 가스중심봉 높낮이 조절

DHM-015 Steel Plate Locking 철판럭킹



- Height adjustment by gaslift.
- 가스중심봉 높낮이 조절

DHM-016 Steel Plate Locking 철판럭킹(스톱바)



- Manual stopping.
- 수동스톱바 가능
- Height adjustment by gaslift.
- 가스중심봉 높낮이 조절

DHM-017 Butterfly Locking I 나비럭킹



- Main body in die-cast aluminium alloy.
- 다이캐스트 알루미늄합금 본체
- Height adjustment by gaslift.
- 가스중심봉 높낮이 조절


DHM-019 New Kobra Locking 코브라 락킹(New)



- Backrest & seat synchronizing.
- 등판과 좌판 싱크론 기능
- Backrest tilting tension adjustment.
- 등판 틸팅 강도 조절
- Height adjustment by gaslift.
- 가스중심봉 높낮이 조절

MECHANISM

DHM-022 Cello 첼로



- Height adjustment by gaslift.
- 가스중심봉 높낮이 조절

DHM-023 D2-400 Locking D2-400 렉킹




- Manual stopping.
- 수동스톱바 가능
- Height adjustment by gaslift.
- 가스중심봉 높낮이 조절

DHM-030 Injection Locking 사출렉킹



- Height adjustment by gaslift.
- 가스중심봉 높낮이 조절

DHM-035 Injection Folding Locking 사출 폴딩 렉킹



- Height adjustment by gaslift.
- 가스중심봉 높낮이 조절

DHM-040 DM1 Injection Locking DM1 사출 렉킹



- Height adjustment by gaslift.
- 가스중심봉 높낮이 조절



ARMREST

DHA-100

Orion

오리온



- Height adjustment and armrest turns.
- 높낮이 조절 가능 및 회전

DHA-200

Leo

레오



- Fixed type
- 고정형

DHA-300

Ribero

리베로



- Height adjustment and armrest turns.
- 높낮이 조절 가능 및 회전

DHA-400

Taurus - I

타우루스 - I



- Height adjustment.
- 높낮이 조절 가능


ARMREST

DHA-210 D2-200




■ Fixed type
■ 고정형

DHA-220 D2-100



■ Fixed type
■ 고정형

DHA-230 D5-200



■ Fixed type
■ 고정형

DHA-240 D3-100



■ Fixed type
■ 고정형

DHA-250 Aries 에리스



■ Height adjustment
■ 높낮이 조절 가능

DHA-018 Cello 첼로



■ Fixed type
■ 고정형



DHA-500

Gemini - I

제미니 - I



- Height adjustment
- 높낮이 조절 가능

DHA-550

Gemini - II

제미니 - II



- Height adjustment
- 높낮이 조절 가능

DHA-600

Lepus - I

레푸스 - I



- Height adjustment
- 높낮이 조절 가능

DHA-610

Lepus - II

레푸스 - II



- Height adjustment.
- Armrest pad slide forward and backward.
- Armrest pad is rotatable.
- 높낮이 조절 가능
- 패드 전·후진
- 패드 회전

ARMREST

DHA-620 Lepus - III 레푸스 - III



- Height adjustment.
- 높낮이 조절 가능

DHA-800 Die Casting Armrest



- Urethane pad available.
- 우레탄 패드 가능

DHA-930 Dynamic - I 다이내믹 - I



- Height adjustment.
- Armrest pad slide forward and backward.
- Armrest pad is rotatable.
- 높낮이 조절 가능
- 패드 전·후진
- 패드 회전

DHA-940 Dynamic - II 다이내믹 - II



- Height adjustment.
- Armrest pad slide forward and backward.
- Armrest pad is rotatable.
- 높낮이 조절 가능
- 패드 전·후진
- 패드 회전



ARMREST & ARMREST PAD

DHA-950 Dynamic - III 다이내믹 - III



- Height adjustment.
- Armrest pad slide forward and backward.
- Armrest pad moves right and left.
- 높낮이 조절 가능
- 패드 전·후진
- 패드 좌·우 작동 가능

Armrest Pad

팔걸이 패드



- ① AP-01 우레탄(다이내믹-A) ② AP-02 우레탄(다이내믹-B, 레푸스-@)
- ③ AP-03 우레탄(다이내믹-C, 레푸스-C) ④ AP-04 우레탄(다이내믹-D)

DHL-123 Lepus Chair Parts



- ① Lepus connector : Aluminium die-casting.
- ② Lepus lumbar support wing : Steel plate.
- ③ Lepus frame.
- ① 레푸스 캐스팅 연결대
- ② 레푸스 요추 날개 평철
- ③ 레푸스 후레임

BASE & FRAME

DHB-100 Steel Base - II 스틸 베이스 - II



Ø720

DHB-110 Steel Base - III 스틸 베이스 - III



Ø600 Ø660 Ø720

DHB-120 Steel Base - IV 스틸 베이스 - IV



Ø580

DHB-200 Injection Base 사출 베이스



Ø630 Ø680

Frame

후레임



① BF - 01 ② BF - 02 ③ BF - 03 ④ BF - 04 ⑤ BF - 05 ⑥ BF - 06 ⑦ BF - 07 ⑧ BF - 08

Knock Down	20FT Container	40FT Container
D5-100 SERIES	165 BOX (BOX-1EA)	336 BOX (BOX-1EA)
D5-200 SERIES	165 BOX (BOX-1EA)	336 BOX (BOX-1EA)
D3-100 SERIES	165 BOX (BOX-1EA)	336 BOX (BOX-1EA)
D2-100 SERIES	165 BOX (BOX-1EA)	336 BOX (BOX-1EA)
D2-200 SERIES	165 BOX (BOX-1EA)	336 BOX (BOX-1EA)
D2-300 SERIES	165 BOX (BOX-1EA)	336 BOX (BOX-1EA)
D2-400 SERIES	165 BOX (BOX-1EA)	336 BOX (BOX-1EA)
D2-450 SERIES	165 BOX (BOX-1EA)	336 BOX (BOX-1EA)
D1-100 SERIES	144 BOX (BOX-1EA)	288 BOX (BOX-1EA)

※ W640 x D550 x H525

※ 박스 사이즈 – W 720 x D 640 x H 360

※ Carton size – W 720 x D 640 x H 360

※ 카탈로그 이미지상 색상과 실제 색상은 다를 수 있습니다.

※ Image of catalogue may differ from the actual color.

Knock Down	Carton size(WxDxH)	20FT Container	40FT Container
DM3-100~300 SERIES	650 x 570 x 570	144 BOX (BOX-2EA)	288 BOX (BOX-2EA)
DM3-400 SERIES	650 x 570 x 570	144 BOX (BOX-2EA)	288 BOX (BOX-2EA)
DM2-100 SERIES	680 x 550 x 550	128 BOX (BOX-2EA)	272 BOX (BOX-2EA)
DM2-200 SERIES	740 x 580 x 610	108 BOX (BOX-2EA)	228 BOX (BOX-2EA)
DM1-100 SERIES	650 x 570 x 570	144 BOX (BOX-2EA)	288 BOX (BOX-2EA)
DM1-200 SERIES	650 x 570 x 570	144 BOX (BOX-2EA)	288 BOX (BOX-2EA)
DM1-300 SERIES	750 x 590 x 580	90 BOX (BOX-2EA)	180 BOX (BOX-2EA)
DM1-350 SERIES	730 x 540 x 640(350) 600 x 600 x 630(351)	81 BOX (BOX-2EA)	171 BOX (BOX-2EA)
DM1-400 SERIES	570 x 530 x 545	160 BOX (BOX-2EA)	320 BOX (BOX-2EA)
DM1-500 SERIES	620 x 580 x 600	108 BOX (BOX-2EA)	228 BOX (BOX-2EA)

※ 모델별 박스 사이즈가 다릅니다. 이점 참고 바랍니다.
 ※ The carton sizes vary depending on the model.
 Please take this into reference.

※ 카탈로그 이미지상 색상과 실제 색상은 다를 수 있습니다.
 ※ Image of catalogue may differ from the actual color.